

10015

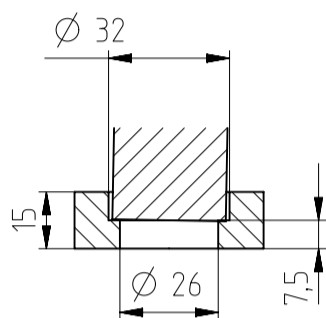
4001

6014

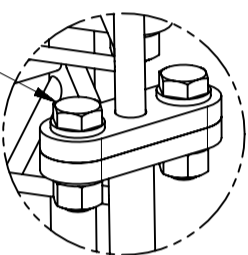
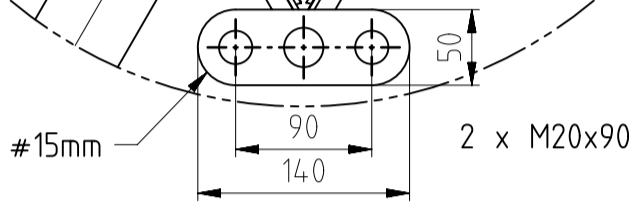
125

450

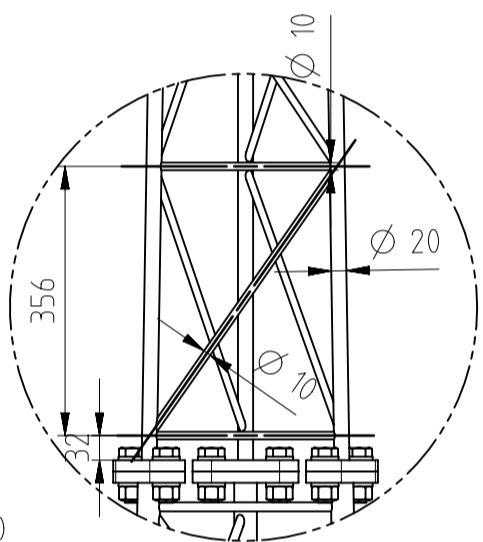
DETAIL D
SCALE 1:5



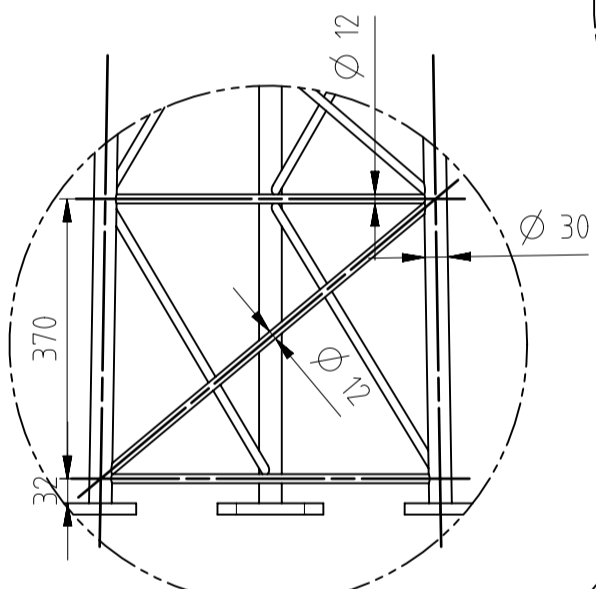
section E-E



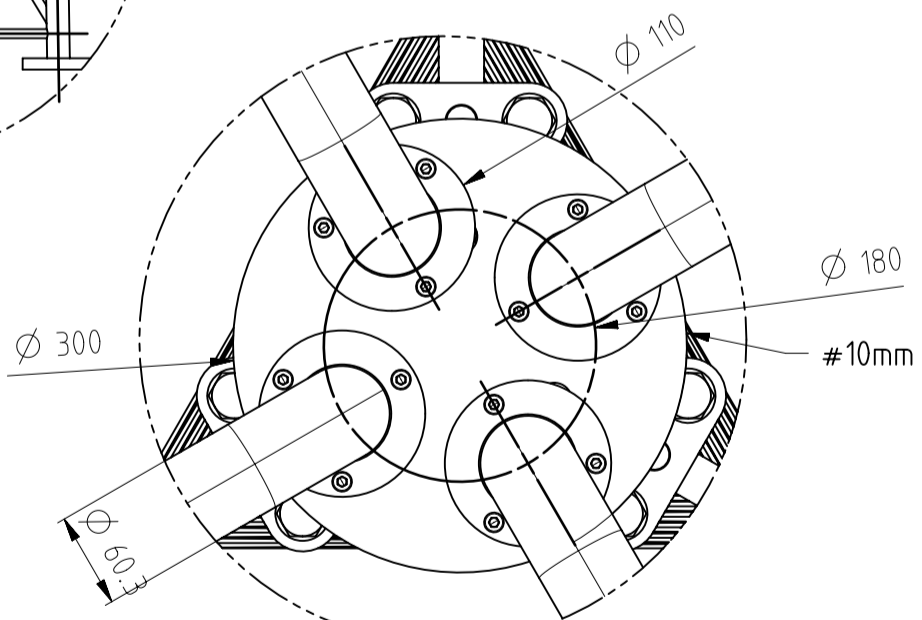
DETAIL B
SCALE 1:5



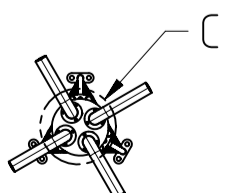
DETAIL G
SCALE 1:10



DETAIL F
SCALE 1:10



DETAIL C
SCALE 1:5



| <p>TOLERANCES (UNLESS OTHERWISE SPECIFIED) ISO 2768-1/2018 "M" SERIES</p> <table border="1"> <tr> <th>SIZE</th> <th>10</th> <th>50</th> <th>100</th> <th>400</th> </tr> <tr> <td>10</td> <td>±0.10</td> <td>±0.15</td> <td>±0.20</td> <td>±0.30</td> </tr> <tr> <td>50</td> <td>±0.15</td> <td>±0.20</td> <td>±0.25</td> <td>±0.35</td> </tr> <tr> <td>100</td> <td>±0.20</td> <td>±0.25</td> <td>±0.30</td> <td>±0.40</td> </tr> <tr> <td>400</td> <td>±0.30</td> <td>±0.40</td> <td>±0.50</td> <td>±0.60</td> </tr> <tr> <td>1000</td> <td>±0.40</td> <td>±0.50</td> <td>±0.60</td> <td>±0.70</td> </tr> <tr> <td>2000</td> <td>±0.50</td> <td>±0.60</td> <td>±0.70</td> <td>±0.80</td> </tr> <tr> <td>3000</td> <td>±0.60</td> <td>±0.70</td> <td>±0.80</td> <td>±0.90</td> </tr> <tr> <td>4000</td> <td>±0.70</td> <td>±0.80</td> <td>±0.90</td> <td>±1.00</td> </tr> <tr> <td>5000</td> <td>±0.80</td> <td>±0.90</td> <td>±1.00</td> <td>±1.10</td> </tr> <tr> <td>6000</td> <td>±0.90</td> <td>±1.00</td> <td>±1.10</td> <td>±1.20</td> </tr> <tr> <td>7000</td> <td>±1.00</td> <td>±1.10</td> <td>±1.20</td> <td>±1.30</td> </tr> <tr> <td>8000</td> <td>±1.10</td> <td>±1.20</td> <td>±1.30</td> <td>±1.40</td> </tr> <tr> <td>9000</td> <td>±1.20</td> <td>±1.30</td> <td>±1.40</td> <td>±1.50</td> </tr> <tr> <td>10000</td> <td>±1.30</td> <td>±1.40</td> <td>±1.50</td> <td>±1.60</td> </tr> </table> | SIZE | 10 | 50 | 100 | 400 | 10 | ±0.10 | ±0.15 | ±0.20 | ±0.30 | 50 | ±0.15 | ±0.20 | ±0.25 | ±0.35 | 100 | ±0.20 | ±0.25 | ±0.30 | ±0.40 | 400 | ±0.30 | ±0.40 | ±0.50 | ±0.60 | 1000 | ±0.40 | ±0.50 | ±0.60 | ±0.70 | 2000 | ±0.50 | ±0.60 | ±0.70 | ±0.80 | 3000 | ±0.60 | ±0.70 | ±0.80 | ±0.90 | 4000 | ±0.70 | ±0.80 | ±0.90 | ±1.00 | 5000 | ±0.80 | ±0.90 | ±1.00 | ±1.10 | 6000 | ±0.90 | ±1.00 | ±1.10 | ±1.20 | 7000 | ±1.00 | ±1.10 | ±1.20 | ±1.30 | 8000 | ±1.10 | ±1.20 | ±1.30 | ±1.40 | 9000 | ±1.20 | ±1.30 | ±1.40 | ±1.50 | 10000 | ±1.30 | ±1.40 | ±1.50 | ±1.60 | <p>THIS DRAWING CONTAINS CONFIDENTIAL INFORMATION WHICH IS THE PROPERTY OF AluPro S.C. COMPANY. THIS DRAWING MAY NOT BE REPRODUCED, TRANSFERRED OR USED, OR ITS CONTENTS DISCLOSED WITHOUT THE PRIOR WRITTEN PERMISSION OF AluPro S.C. COMPANY</p> | | | |
|---|---|-----------|--------------|-----------------|-------|----|-------|-------|-------|-------|----|-------|-------|-------|-------|-----|-------|-------|-------|-------|-----|-------|-------|-------|-------|------|-------|-------|-------|-------|------|-------|-------|-------|-------|------|-------|-------|-------|-------|------|-------|-------|-------|-------|------|-------|-------|-------|-------|------|-------|-------|-------|-------|------|-------|-------|-------|-------|------|-------|-------|-------|-------|------|-------|-------|-------|-------|-------|-------|-------|-------|-------|--|--|--|--|
| | SIZE | 10 | 50 | 100 | 400 | | | | | | | | | | | | | | | | | | | | | | | | | | | | | | | | | | | | | | | | | | | | | | | | | | | | | | | | | | | | | | | | | | | | | | | | | | |
| | 10 | ±0.10 | ±0.15 | ±0.20 | ±0.30 | | | | | | | | | | | | | | | | | | | | | | | | | | | | | | | | | | | | | | | | | | | | | | | | | | | | | | | | | | | | | | | | | | | | | | | | | | |
| | 50 | ±0.15 | ±0.20 | ±0.25 | ±0.35 | | | | | | | | | | | | | | | | | | | | | | | | | | | | | | | | | | | | | | | | | | | | | | | | | | | | | | | | | | | | | | | | | | | | | | | | | | |
| | 100 | ±0.20 | ±0.25 | ±0.30 | ±0.40 | | | | | | | | | | | | | | | | | | | | | | | | | | | | | | | | | | | | | | | | | | | | | | | | | | | | | | | | | | | | | | | | | | | | | | | | | | |
| | 400 | ±0.30 | ±0.40 | ±0.50 | ±0.60 | | | | | | | | | | | | | | | | | | | | | | | | | | | | | | | | | | | | | | | | | | | | | | | | | | | | | | | | | | | | | | | | | | | | | | | | | | |
| | 1000 | ±0.40 | ±0.50 | ±0.60 | ±0.70 | | | | | | | | | | | | | | | | | | | | | | | | | | | | | | | | | | | | | | | | | | | | | | | | | | | | | | | | | | | | | | | | | | | | | | | | | | |
| 2000 | ±0.50 | ±0.60 | ±0.70 | ±0.80 | | | | | | | | | | | | | | | | | | | | | | | | | | | | | | | | | | | | | | | | | | | | | | | | | | | | | | | | | | | | | | | | | | | | | | | | | | | |
| 3000 | ±0.60 | ±0.70 | ±0.80 | ±0.90 | | | | | | | | | | | | | | | | | | | | | | | | | | | | | | | | | | | | | | | | | | | | | | | | | | | | | | | | | | | | | | | | | | | | | | | | | | | |
| 4000 | ±0.70 | ±0.80 | ±0.90 | ±1.00 | | | | | | | | | | | | | | | | | | | | | | | | | | | | | | | | | | | | | | | | | | | | | | | | | | | | | | | | | | | | | | | | | | | | | | | | | | | |
| 5000 | ±0.80 | ±0.90 | ±1.00 | ±1.10 | | | | | | | | | | | | | | | | | | | | | | | | | | | | | | | | | | | | | | | | | | | | | | | | | | | | | | | | | | | | | | | | | | | | | | | | | | | |
| 6000 | ±0.90 | ±1.00 | ±1.10 | ±1.20 | | | | | | | | | | | | | | | | | | | | | | | | | | | | | | | | | | | | | | | | | | | | | | | | | | | | | | | | | | | | | | | | | | | | | | | | | | | |
| 7000 | ±1.00 | ±1.10 | ±1.20 | ±1.30 | | | | | | | | | | | | | | | | | | | | | | | | | | | | | | | | | | | | | | | | | | | | | | | | | | | | | | | | | | | | | | | | | | | | | | | | | | | |
| 8000 | ±1.10 | ±1.20 | ±1.30 | ±1.40 | | | | | | | | | | | | | | | | | | | | | | | | | | | | | | | | | | | | | | | | | | | | | | | | | | | | | | | | | | | | | | | | | | | | | | | | | | | |
| 9000 | ±1.20 | ±1.30 | ±1.40 | ±1.50 | | | | | | | | | | | | | | | | | | | | | | | | | | | | | | | | | | | | | | | | | | | | | | | | | | | | | | | | | | | | | | | | | | | | | | | | | | | |
| 10000 | ±1.30 | ±1.40 | ±1.50 | ±1.60 | | | | | | | | | | | | | | | | | | | | | | | | | | | | | | | | | | | | | | | | | | | | | | | | | | | | | | | | | | | | | | | | | | | | | | | | | | | |
| MATERIAL: | S35 | QUANTITY: | DRAWN BY: | D.Wojciechowski | | | | | | | | | | | | | | | | | | | | | | | | | | | | | | | | | | | | | | | | | | | | | | | | | | | | | | | | | | | | | | | | | | | | | | | | | | | |
| MACHINE: | | tbd | DATE: | 28/09/2021 | | | | | | | | | | | | | | | | | | | | | | | | | | | | | | | | | | | | | | | | | | | | | | | | | | | | | | | | | | | | | | | | | | | | | | | | | | | |
| DRAWING PREPARED FOR: | AluPro | | CHECKED BY: | | | | | | | | | | | | | | | | | | | | | | | | | | | | | | | | | | | | | | | | | | | | | | | | | | | | | | | | | | | | | | | | | | | | | | | | | | | | |
| TITLE: | Luminary truss tower H=10m W=450 / 125 | | 3D FILE: | | | | | | | | | | | | | | | | | | | | | | | | | | | | | | | | | | | | | | | | | | | | | | | | | | | | | | | | | | | | | | | | | | | | | | | | | | | | |
| FIRST ANGLE PROJECTION: | AluPro s.c. | | SCALE: | 1 : 40 | | | | | | | | | | | | | | | | | | | | | | | | | | | | | | | | | | | | | | | | | | | | | | | | | | | | | | | | | | | | | | | | | | | | | | | | | | | |
| | | | SHEET: | 1 of 1 | | | | | | | | | | | | | | | | | | | | | | | | | | | | | | | | | | | | | | | | | | | | | | | | | | | | | | | | | | | | | | | | | | | | | | | | | | | |
| | | | JOB NUMBER: | | | | | | | | | | | | | | | | | | | | | | | | | | | | | | | | | | | | | | | | | | | | | | | | | | | | | | | | | | | | | | | | | | | | | | | | | | | | |
| | | | DRAWING NO°: | 2021.09.28.01A | | | | | | | | | | | | | | | | | | | | | | | | | | | | | | | | | | | | | | | | | | | | | | | | | | | | | | | | | | | | | | | | | | | | | | | | | | | |
| | | | REV: | A | | | | | | | | | | | | | | | | | | | | | | | | | | | | | | | | | | | | | | | | | | | | | | | | | | | | | | | | | | | | | | | | | | | | | | | | | | | |