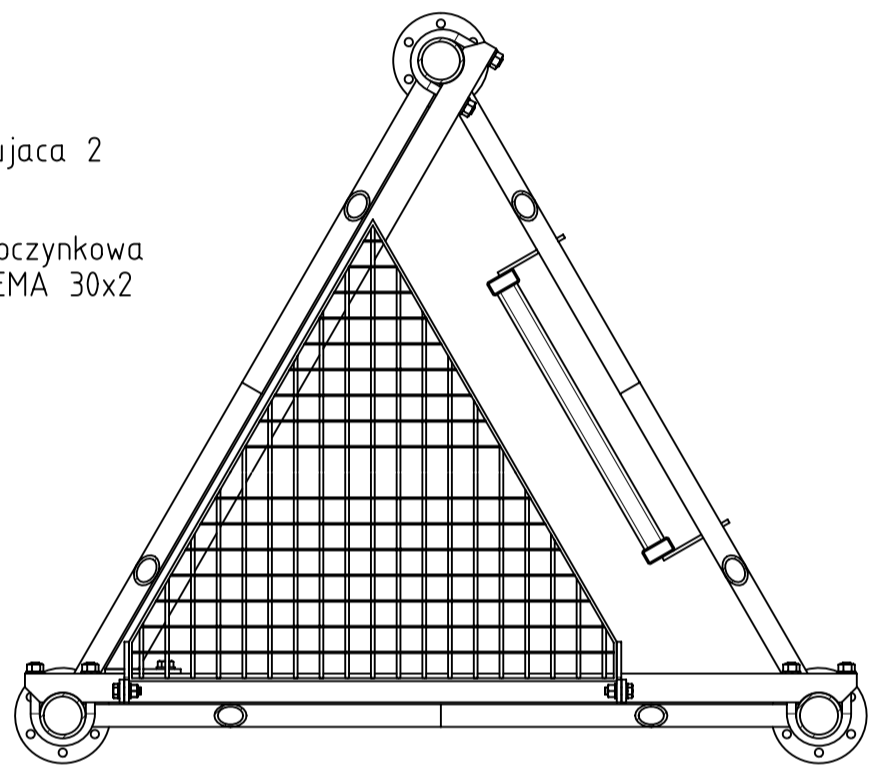
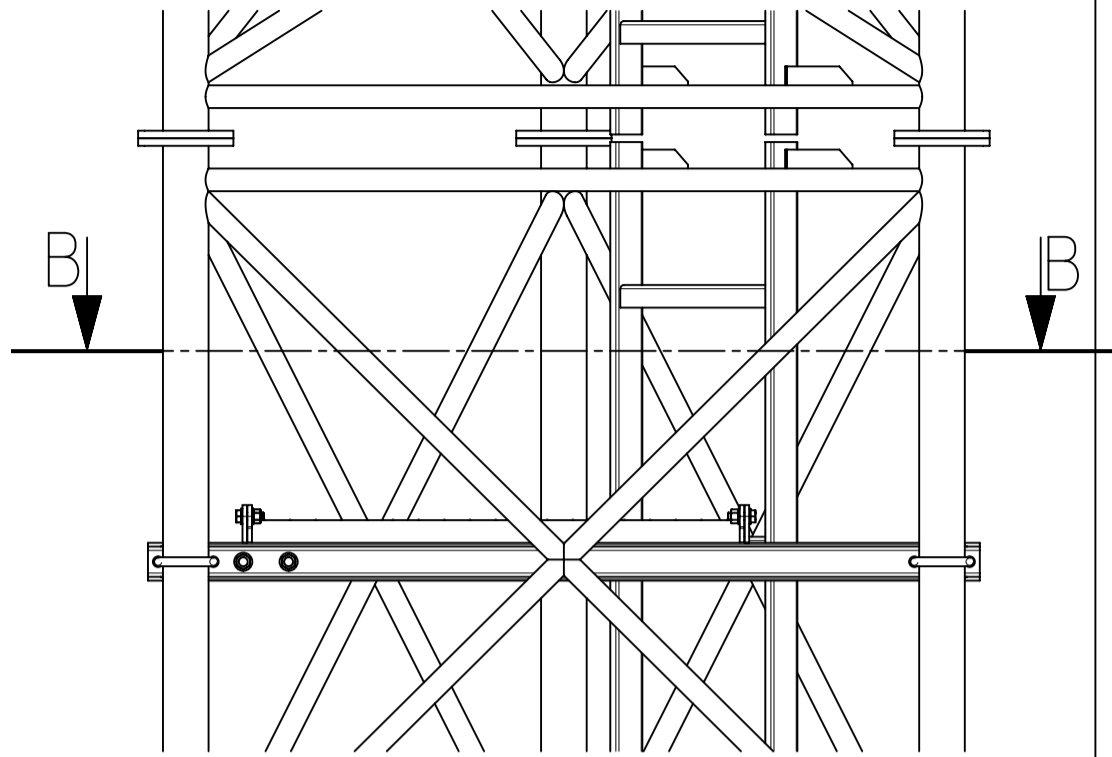
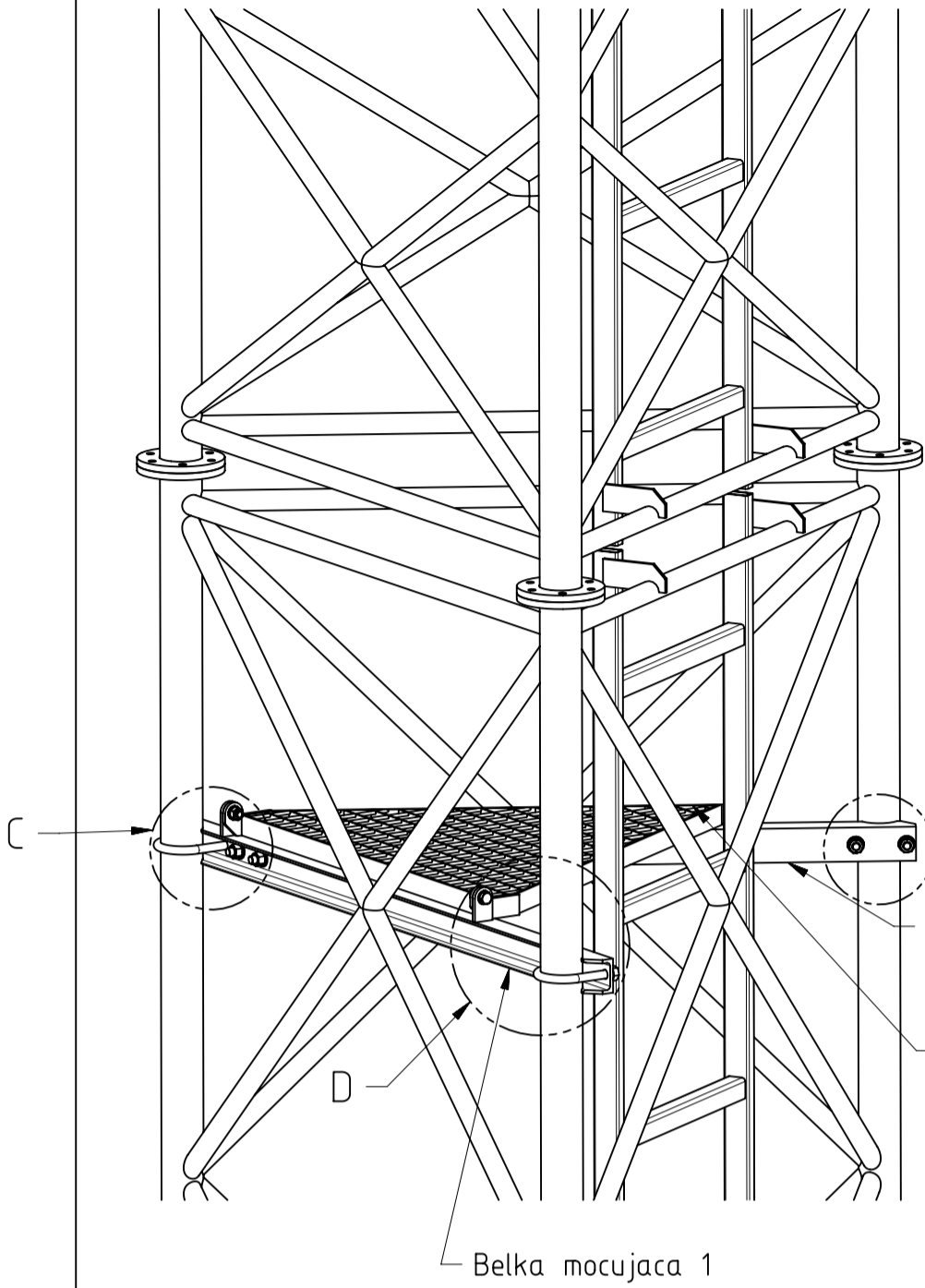
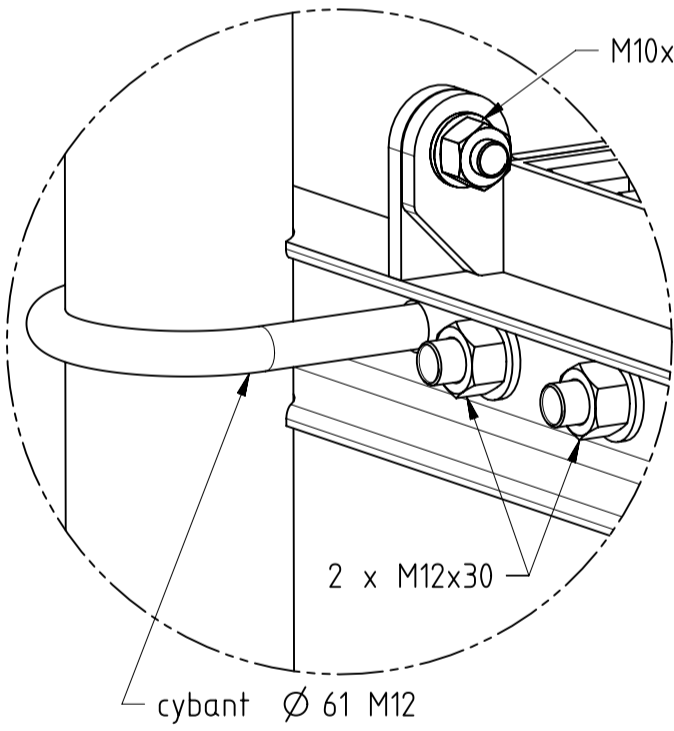


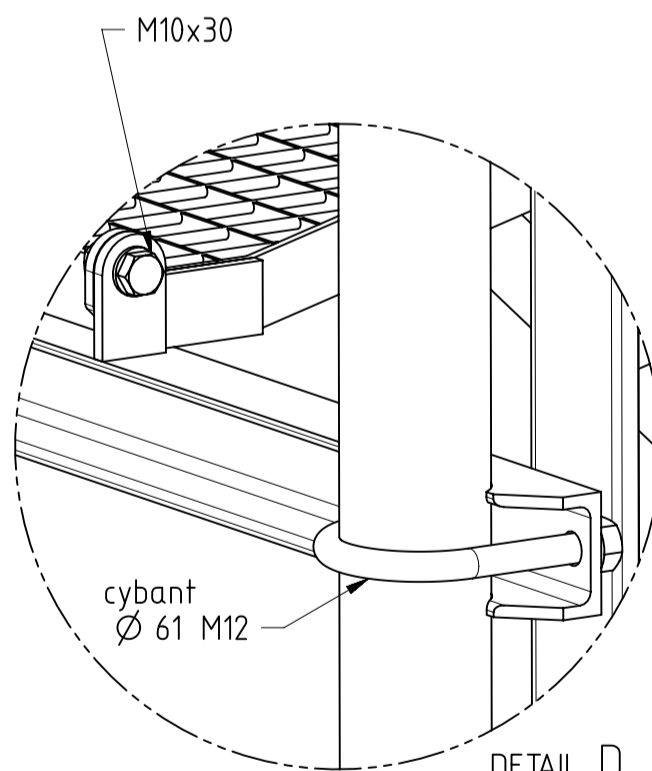
KARTA KATALOGOWA
 Kłapa spoczynkowa M1000/T1000 uniwersalna



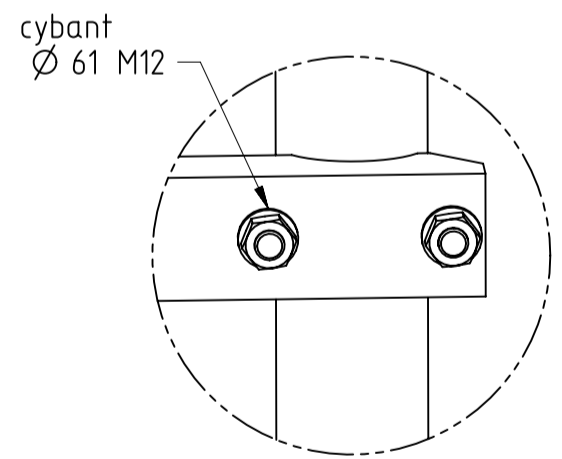
SECTION B-B



DETAIL C
 SCALE 1:2



DETAIL D
 SCALE 1:3



DETAIL E
 SCALE 1:3

<small> TOLERANCES (UNLESS OTHERWISE SPECIFIED): ISO 2768-1/2018 "M" SERIES Holes: Ø 10 to 30: ±0.03, Ø 30 to 50: ±0.04, Ø 50 to 100: ±0.05, Ø 100 to 150: ±0.06, Ø 150 to 200: ±0.08, Ø 200 to 300: ±0.10, Ø 300 to 400: ±0.12, Ø 400 to 500: ±0.15 Linear dimensions: 0.5 to 3: ±0.05, 3 to 10: ±0.08, 10 to 30: ±0.10, 30 to 100: ±0.12, 100 to 300: ±0.15, 300 to 500: ±0.20 ANGLES: 10 to 30: ±0.5°, 30 to 60: ±1.0°, 60 to 90: ±1.5° FIRST ANGLE PROJECTION: </small>	THIS DRAWING CONTAINS CONFIDENTIAL INFORMATION WHICH IS THE PROPERTY OF AluPro S.C. COMPANY. THIS DRAWING MAY NOT BE REPRODUCED, TRANSFERRED OR USED, OR ITS CONTENTS DISCLOSED WITHOUT THE PRIOR WRITTEN PERMISSION OF AluPro S.C. COMPANY			
	MATERIAL:	S235	QUANTITY:	DRAWN BY:
	MACHINE:		1	DATE:
	DRAWING PREPARED FOR:	AluPro		CHECKED BY:
	TITLE:	Karta katalogowa Kłapa spoczynkowa uniwersalna M1000		3D FILE:
	FIRST ANGLE PROJECTION:			SCALE: 1 : 10
				SHEET: 1 of 1
				JOB NUMBER:
			DRAWING NO°:	
			2025.02.11.04A	
			REV:	
			A	