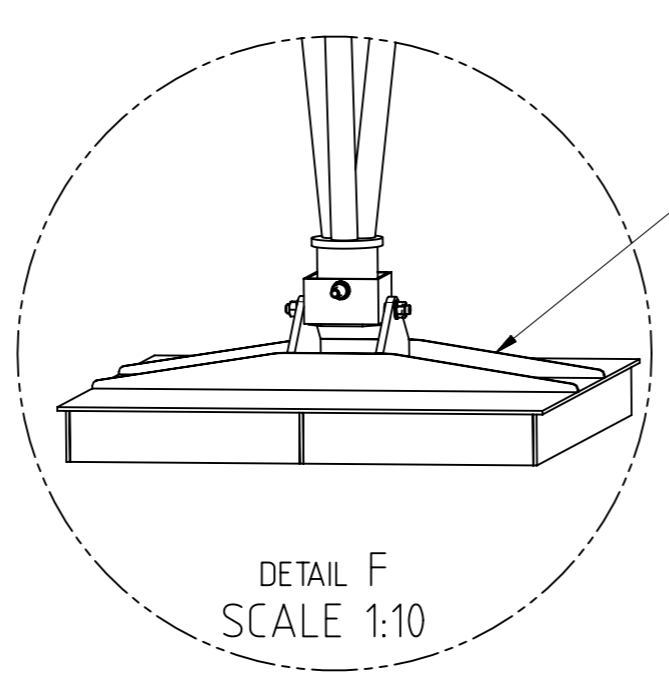
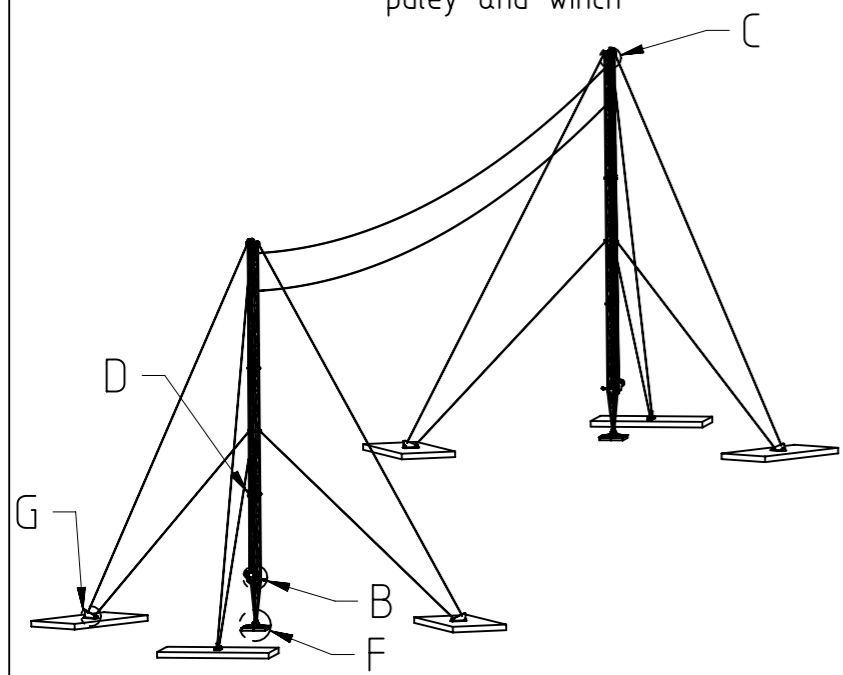


specification:
 Mast height: 10m
 masts weight: 2 x 46kg
 material: aluminum AW6060T6
 guy wires: 6mm T6x19 galvanized
 antenna erecting: rail with slider,
 puley and winch



<small>TOLERANCES UNLESS OTHERWISE SPECIFIED: ISO 2768-1/1989 "M" SERIES</small> <small>LINEAR DIMENSIONS</small>	THIS DRAWING CONTAINS CONFIDENTIAL INFORMATION WHICH IS THE PROPERTY OF AluPro SC COMPANY. THIS DRAWING MAY NOT BE REPRODUCED, TRANSFERRED OR USED, OR ITS CONTENTS DISCLOSED WITHOUT THE PRIOR WRITTEN PERMISSION OF AluPro SC COMPANY				
	MATERIAL:	QUANTITY:	DRAWN BY:	D.Wojciechowski	
	MACHINE:		DATE:	10/10/2023	
	DRAWING PREPARED FOR:	AluPro	CHECKED BY:		
	TITLE:	masts for two wire symmetrical T antenna with erecting system H=10.0m		3D FILE:	
FIRST ANGLE PROJECTION:		SCALE:	1 : 200	SHEET:	1 of 1
		DRAWING NO°:	2023.10.10.01A		REV: