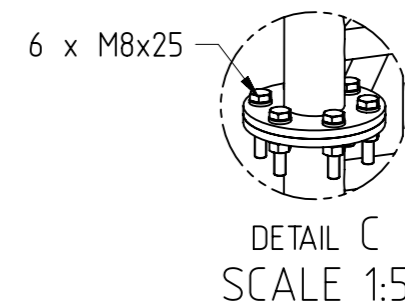
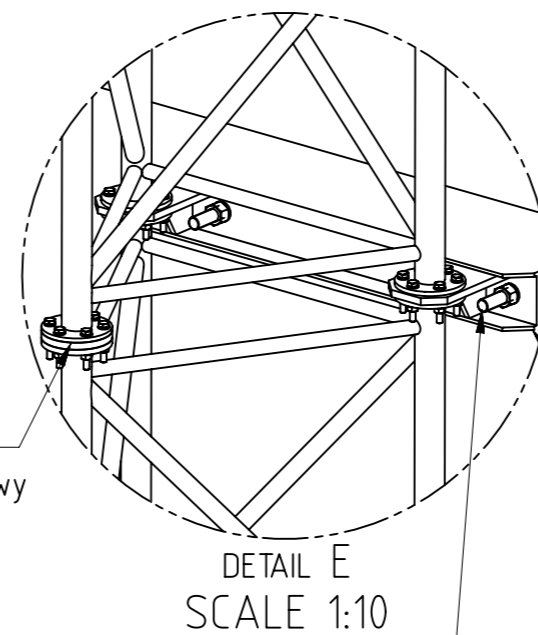
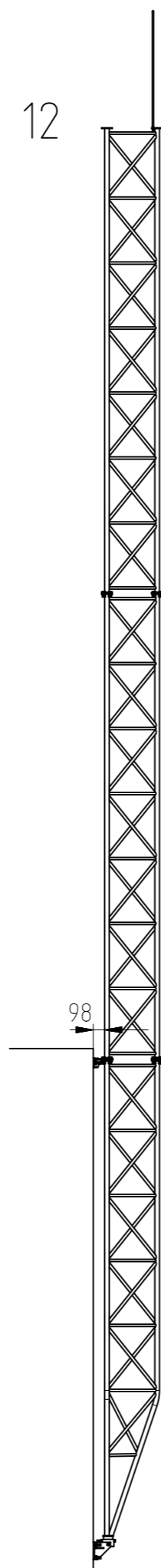
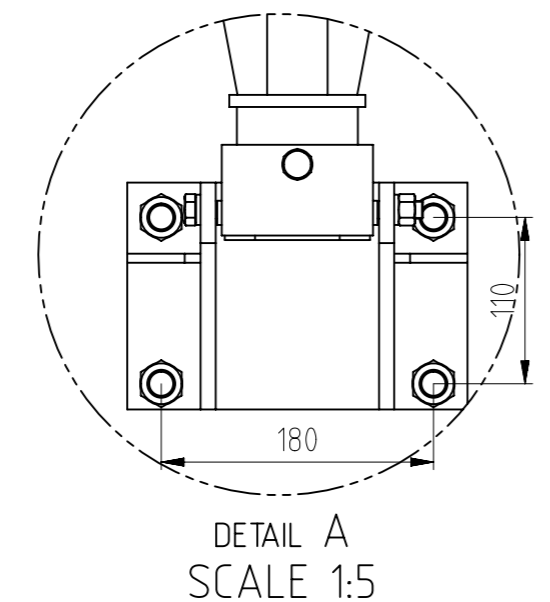
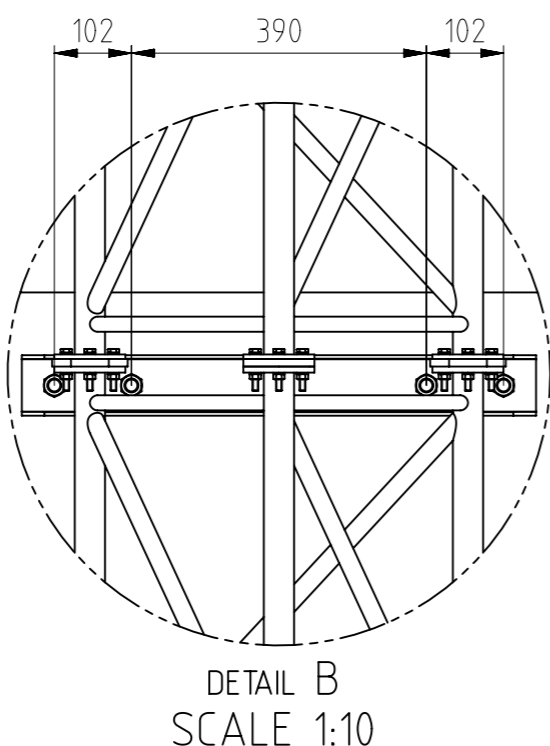
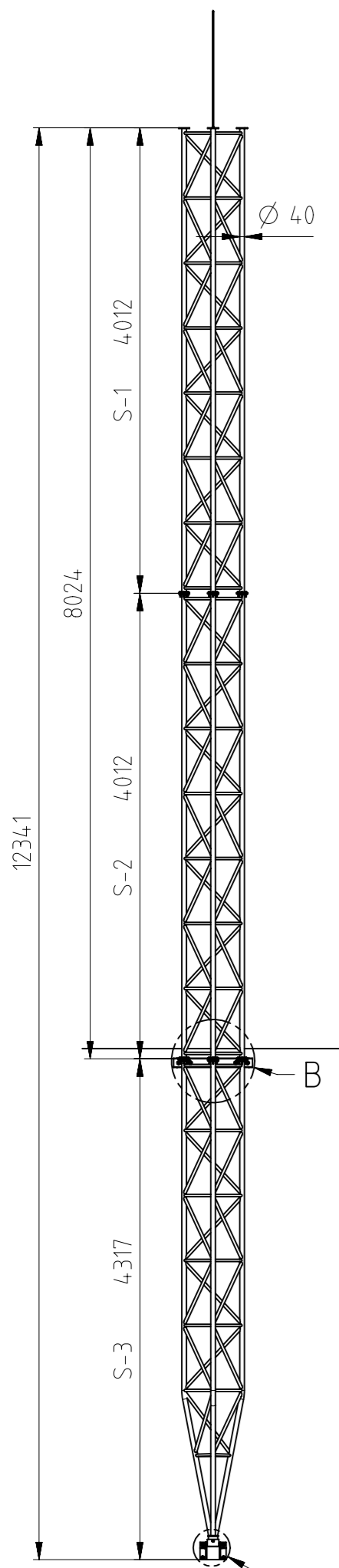
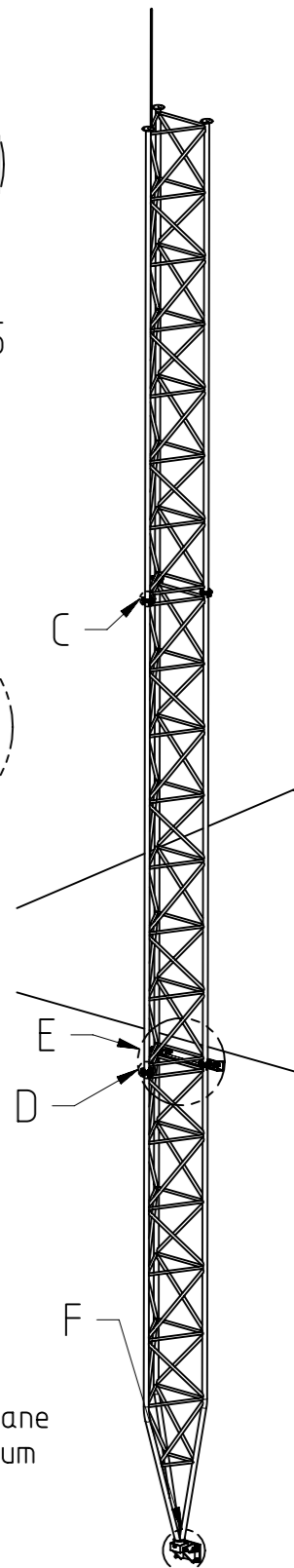
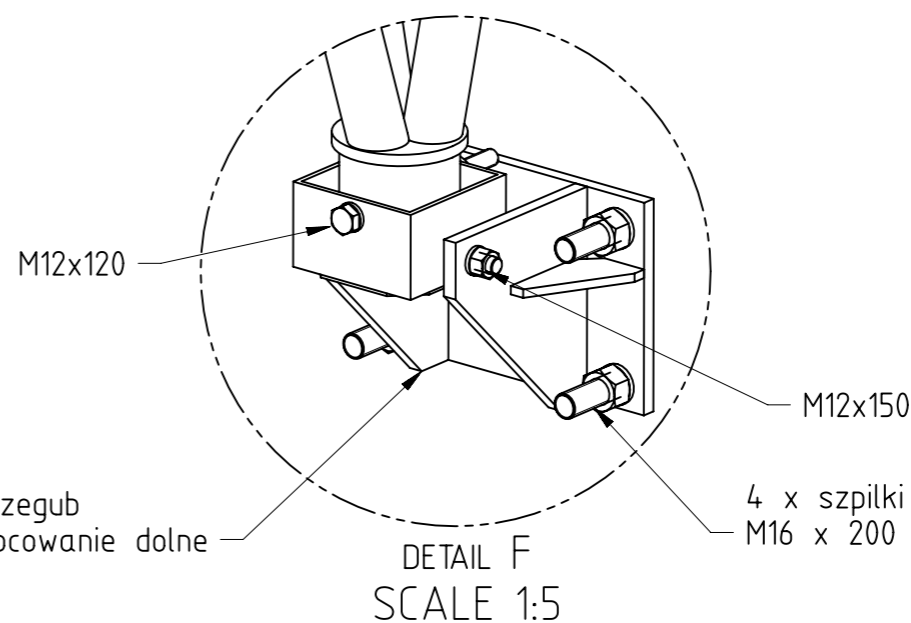
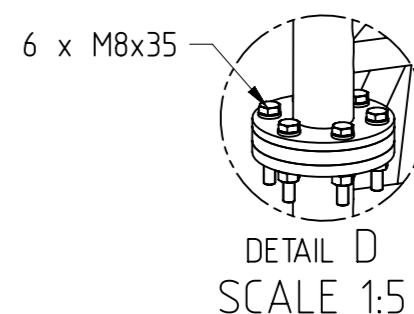


Karta katalogowa  
Maszt przyscienny  
AluPro typ M500-8 / 12



4 x szpilki wklejane  
M16 x 200 minimum



<p>THIS DRAWING CONTAINS CONFIDENTIAL INFORMATION WHICH IS THE PROPERTY OF AluPro SC COMPANY. THIS DRAWING MAY NOT BE REPRODUCED, TRANSFERRED OR USED, OR ITS CONTENTS DISCLOSED WITHOUT THE PRIOR WRITTEN PERMISSION OF AluPro SC COMPANY</p>				
MATERIAL:	AW6063T6	QUANTITY:	DRAWN BY:	D.Wojciechowski
MACHINE:			DATE:	06-02-2020
DRAWING PREPARED FOR:	AluPro		CHECKED BY:	
TITLE:	Karta katalogowa Maszt przyscienny M500-8 / 10.6		3D FILE:	
FIRST ANGLE PROJECTION:			SCALE:	1 : 50
			SHEET:	1 of 1
			JOB NUMBER:	
			DRAWING NO°:	2020.02.06.01A
			REV:	A

ISO 7:2003	ISO 14376:2004	ISO 14377:2004	ISO 14378:2004	ISO 14379:2004	ISO 14380:2004	ISO 14381:2004	ISO 14382:2004	ISO 14383:2004	ISO 14384:2004
3	6	30	120	400	1000	10000	100000	1000000	10000000
±0.012	±0.025	±0.050	±0.075	±0.150	±0.200	±0.300	±0.500	±0.800	±1.200

