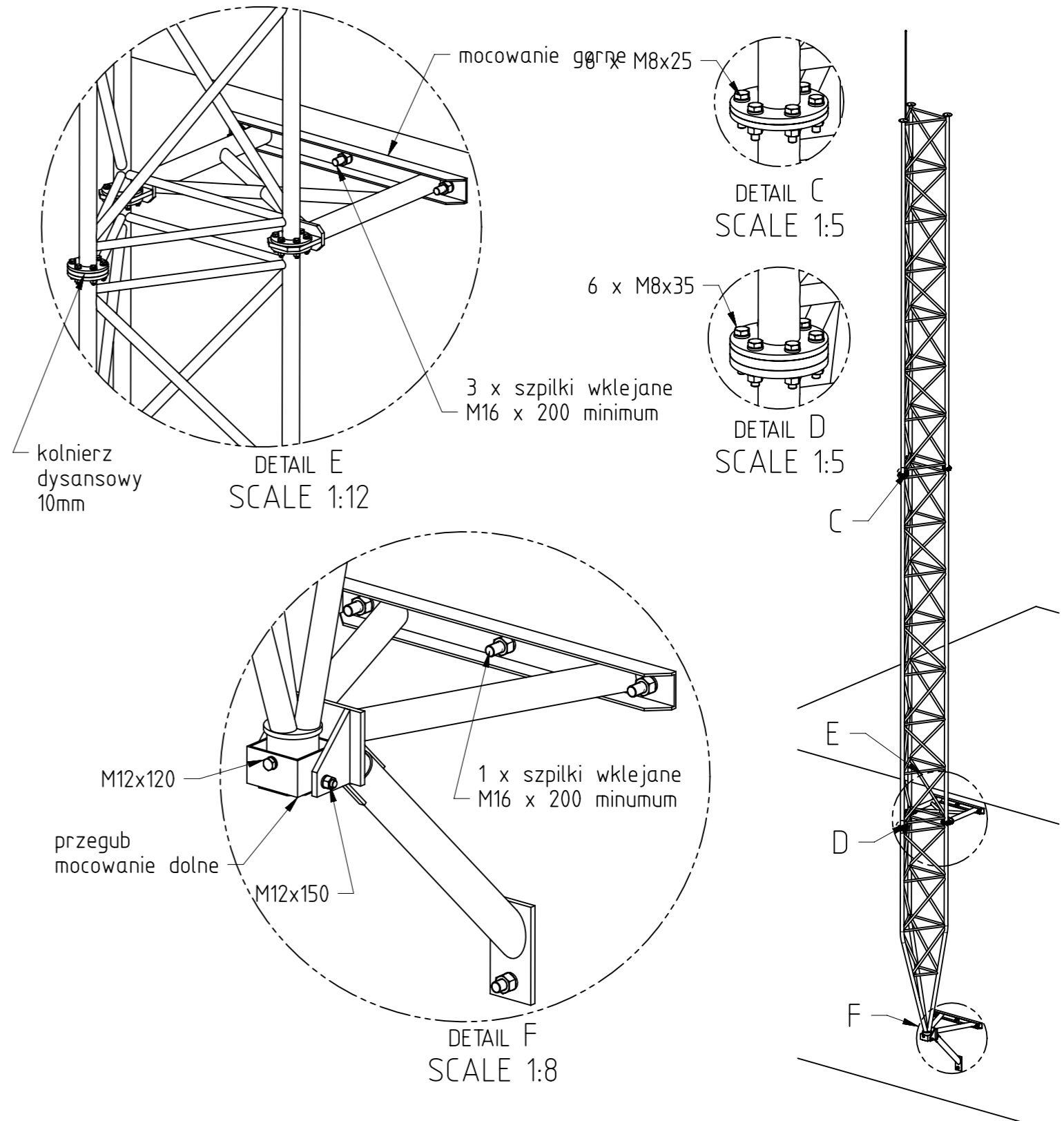
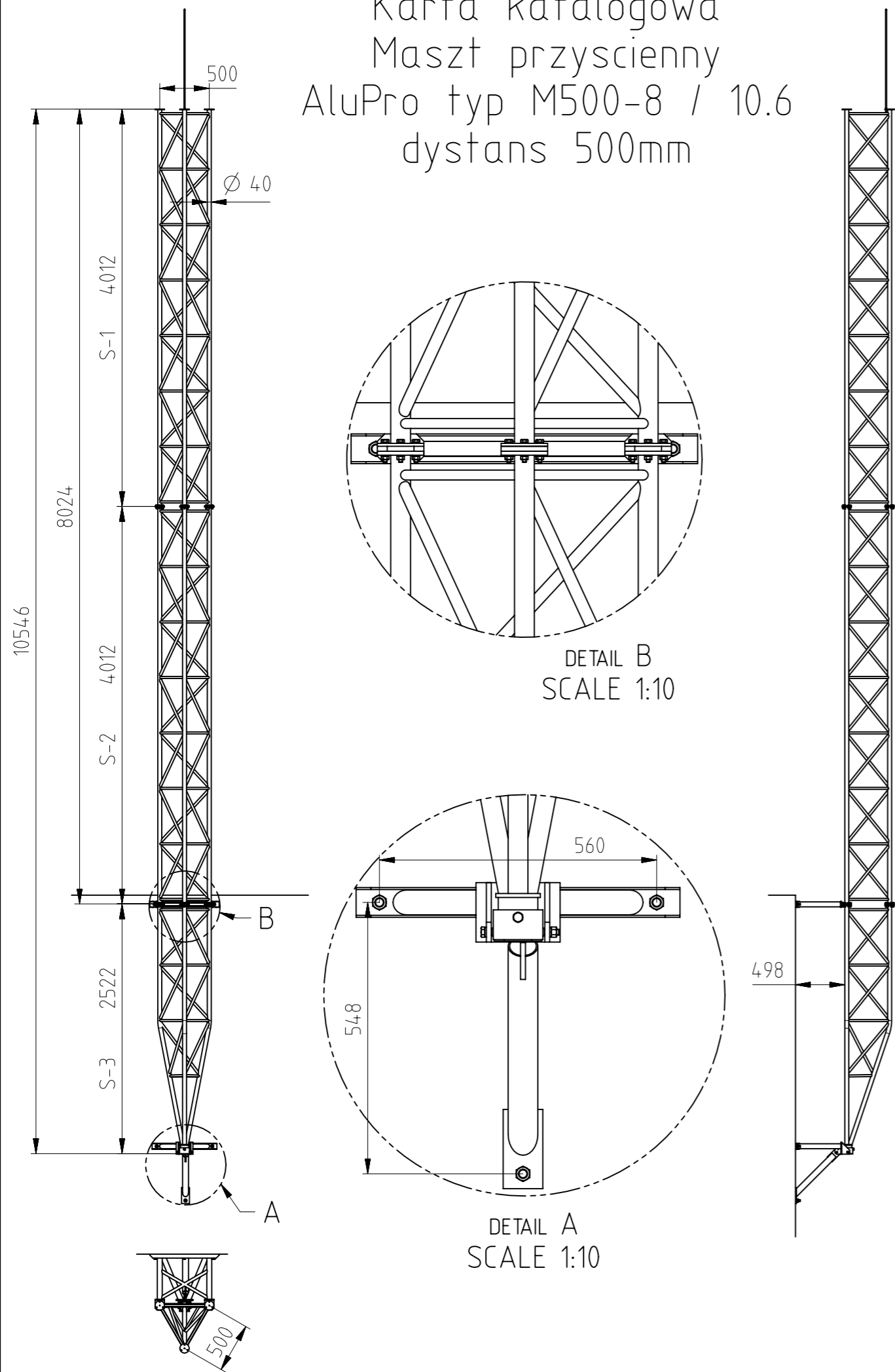


Karta katalogowa  
Maszt przyscienny  
AluPro typ M500-8 / 10.6  
dystans 500mm



<small>ISO 7789-1:1999 "A" SERIES</small> <small>TOLERANCES UNLESS OTHERWISE SPECIFIED</small> <small>ABOVE 0.5</small>   <small>0.5</small>   <small>1</small>   <small>2</small>   <small>3</small>   <small>4</small>   <small>5</small>   <small>6</small>   <small>8</small>   <small>10</small>   <small>12</small>   <small>15</small>   <small>20</small>   <small>25</small>   <small>30</small>   <small>40</small>   <small>50</small>   <small>60</small>   <small>80</small>   <small>100</small>   <small>120</small>   <small>150</small>   <small>200</small>   <small>250</small>   <small>300</small>   <small>400</small>   <small>500</small>   <small>600</small>   <small>800</small>   <small>1000</small>   <small>1200</small>   <small>1500</small>   <small>2000</small>   <small>2500</small>   <small>3000</small>   <small>4000</small>   <small>5000</small>   <small>6000</small>   <small>8000</small>   <small>10000</small> <small>FINISHES</small>   <small>RA</small>   <small>0.1</small>   <small>0.2</small>   <small>0.3</small>   <small>0.4</small>   <small>0.5</small>   <small>0.6</small>   <small>0.8</small>   <small>1.0</small>   <small>1.2</small>   <small>1.5</small>   <small>2.0</small>   <small>2.5</small>   <small>3.0</small>   <small>4.0</small>   <small>5.0</small>   <small>6.0</small>   <small>8.0</small>   <small>10.0</small>   <small>12.0</small>   <small>15.0</small>   <small>20.0</small>   <small>25.0</small>   <small>30.0</small>   <small>40.0</small>   <small>50.0</small>   <small>60.0</small>   <small>80.0</small>   <small>100.0</small>   <small>120.0</small>   <small>150.0</small>   <small>200.0</small>   <small>250.0</small>   <small>300.0</small>   <small>400.0</small>   <small>500.0</small>   <small>600.0</small>   <small>800.0</small>   <small>1000.0</small> <small>LINEAR DIMENSIONS</small>				THIS DRAWING CONTAINS CONFIDENTIAL INFORMATION WHICH IS THE PROPERTY OF AluPro SC COMPANY. THIS DRAWING MAY NOT BE REPRODUCED, TRANSFERRED OR USED, OR ITS CONTENTS DISCLOSED WITHOUT THE PRIOR WRITTEN PERMISSION OF AluPro SC COMPANY			
MATERIAL: AW6063T6		QUANTITY:	DRAWN BY: D.Wojciechowski				
MACHINE:		DATE: 12/08/2022		CHECKED BY:			
DRAWING PREPARED FOR: AluPro		3D FILE:		SCALE: 1 : 50			
TITLE: Karta katalogowa Maszt przyscienny M500-8 / 10.6		JOB NUMBER:		SHEET: 1 of 1			
FIRST ANGLE PROJECTION:		DRAWING NO°: 22022.08.12.01A		REV: A			

