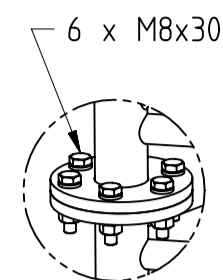
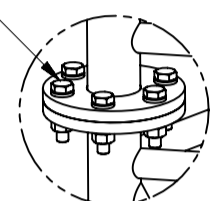


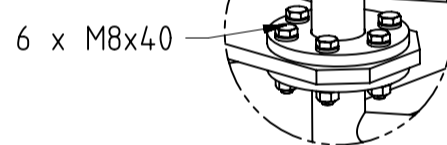
DETAIL B
SCALE 1:10



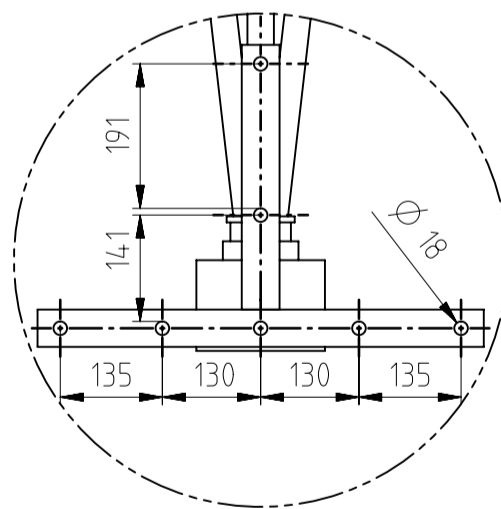
DETAIL D
SCALE 1:5



DETAIL E
SCALE 1:5



DETAIL F
SCALE 1:5



DETAIL C
SCALE 1:10

top wall-mount

bottom wall-mount

| | | | | | | | | |
|--|---|---|----|-----|-----|------|------|------|
| TOLERANCES (UNLESS OTHERWISE SPECIFIED) ISO 2768-1/2001 "M" SERIES | | | | | | | | |
| LINEAR DIMENSIONS | | | | | | | | |
| ABOVE 0.5 | 3 | 6 | 30 | 120 | 400 | 1000 | 2000 | 4000 |
| ABOVE 10 | 3 | 6 | 30 | 120 | 400 | 1000 | 2000 | 4000 |
| ANGLES | TOLERANCE ± 1° ± 30' ± 1' ± 30' ± 1' ± 30' ± 1' ± 30' | | | | | | | |
| TOLERANCE | ± 0.1 ± 0.1 ± 0.1 ± 0.3 ± 0.5 ± 0.8 ± 1.2 ± 2 | | | | | | | |

THIS DRAWING CONTAINS CONFIDENTIAL INFORMATION WHICH IS THE PROPERTY OF AluPro S.C. COMPANY. THIS DRAWING MAY NOT BE REPRODUCED, TRANSFERRED OR USED, OR ITS CONTENTS DISCLOSED WITHOUT THE PRIOR WRITTEN PERMISSION OF AluPro S.C. COMPANY

| | | | | |
|-----------------------|--|-----------|-------------|-----------------|
| MATERIAL: | AW6063T6 | QUANTITY: | DRAWN BY: | D.Wojciechowski |
| MACHINE: | | | DATE: | 19-06-2017 |
| DRAWING PREPARED FOR: | AluPro | | CHECKED BY: | |
| TITLE: | Datasheet of wall mounted mast M250-4 S-2 dist=300mm | | 3D FILE: | |
| | | | SCALE: | 3 : 100 |
| | | | SHEET: | 1 of 1 |
| | | | JOB NUMBER: | |

| | | | | | |
|-------------------------|-------------|--------------|----------------|------|---|
| FIRST ANGLE PROJECTION: | AluPro s.c. | DRAWING NO°: | 2017.10.26.01A | REV: | A |
|-------------------------|-------------|--------------|----------------|------|---|