

Schemat masztu aluminiowego H=7.0m, typ M400

Parametry:

Krawezniki: \varnothing 35x2.0

Slupki: \varnothing 20x2.0

Zakratowanie: \varnothing 20x2.0

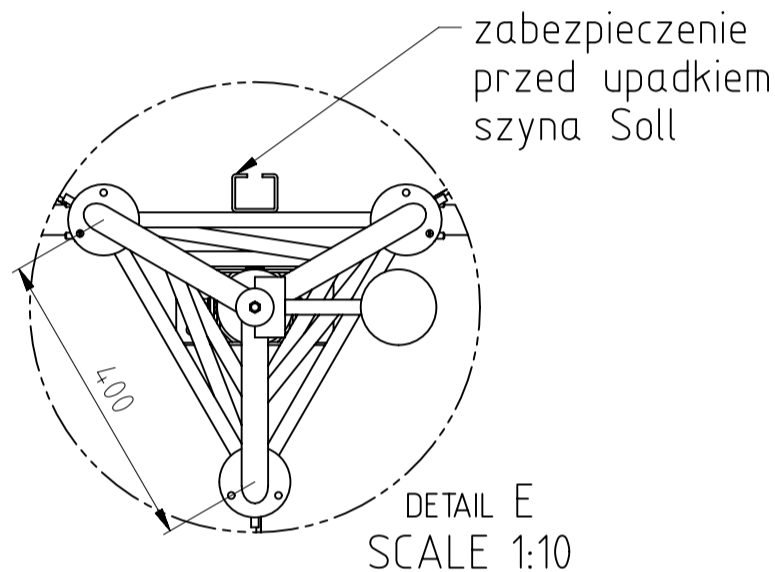
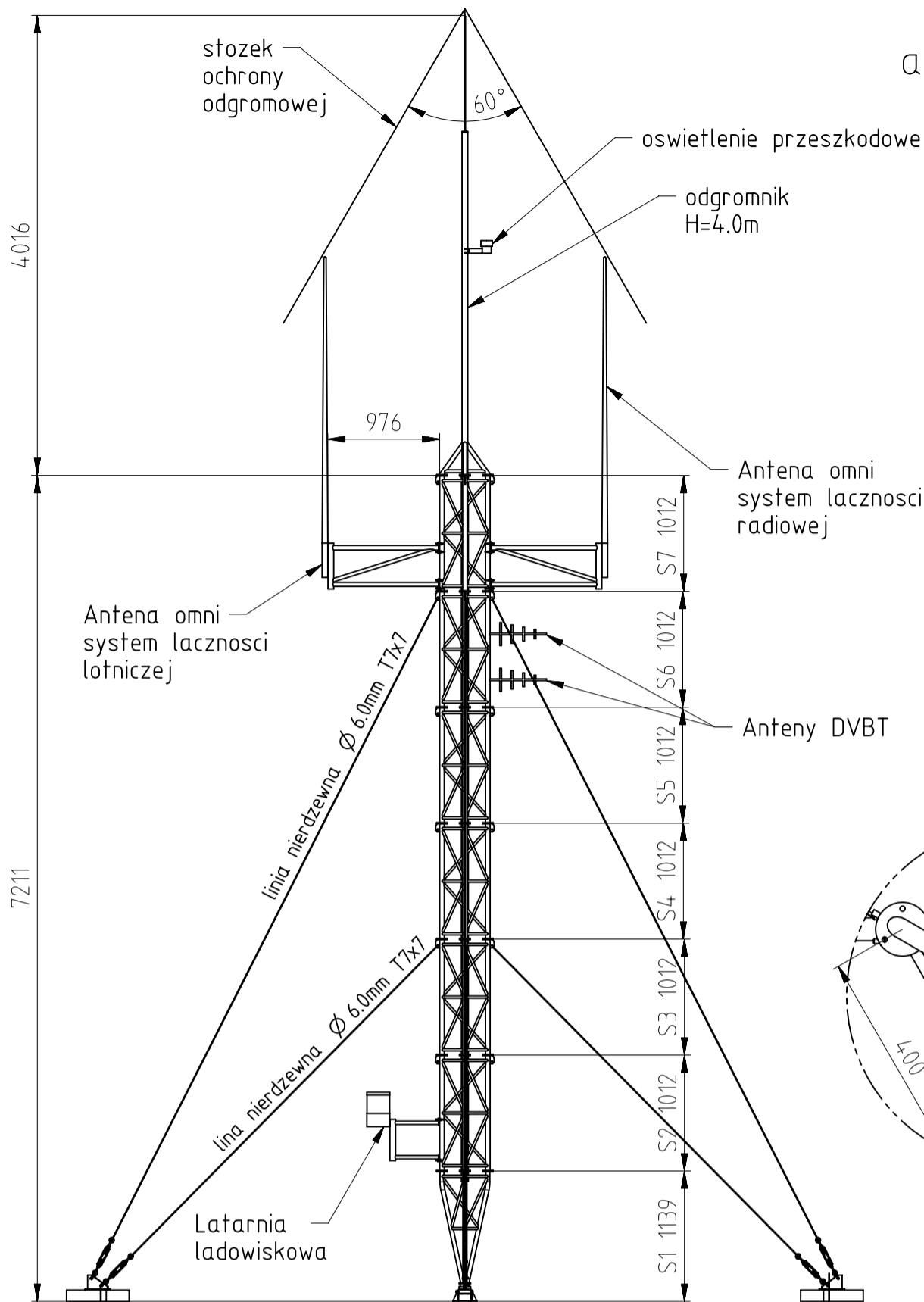
Kolnierze: \varnothing 94x8

Material: AW6063T6

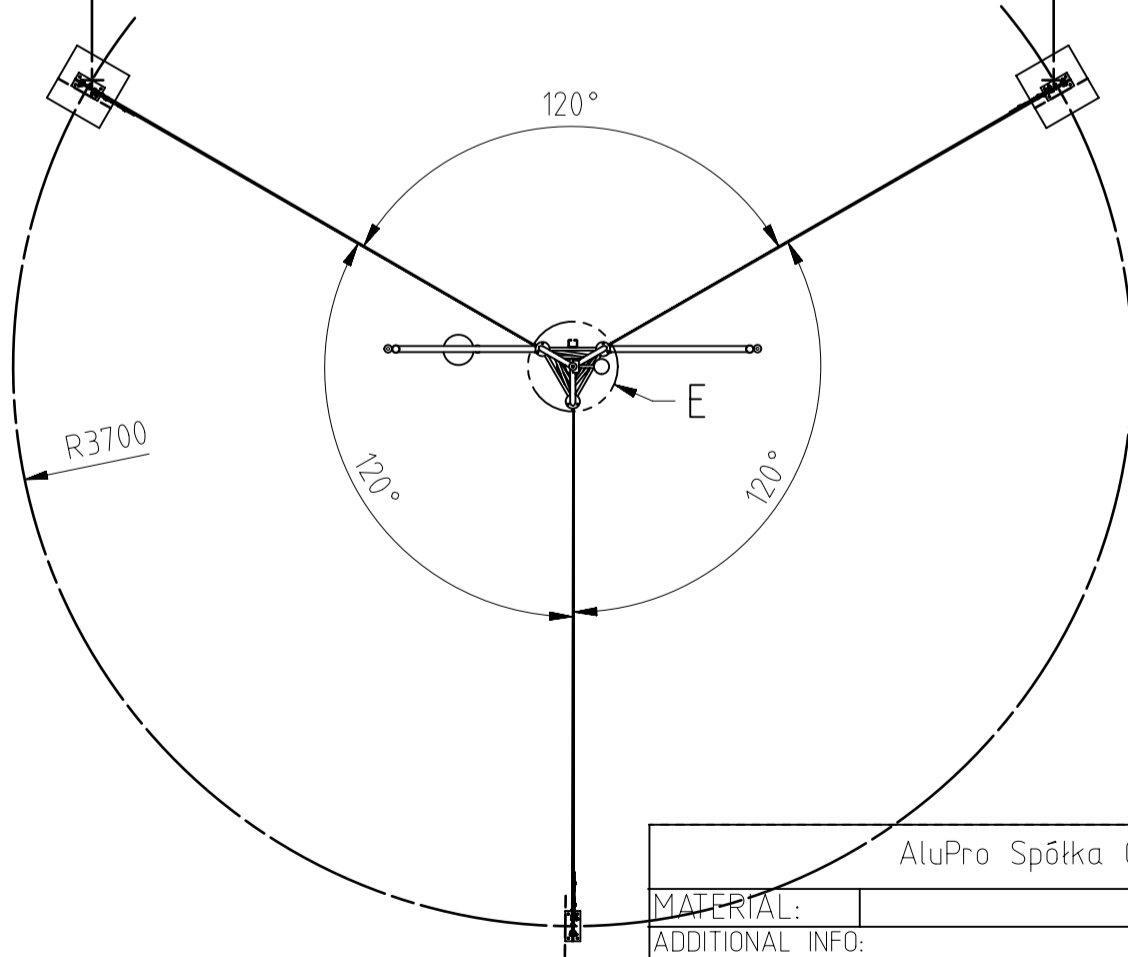
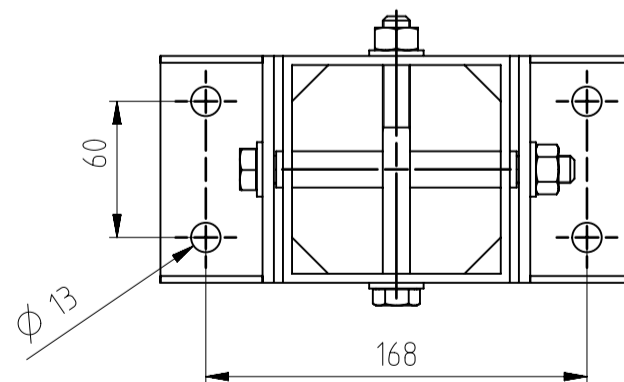
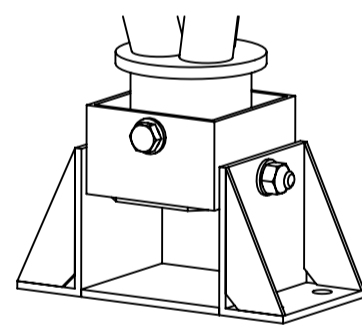
liny: nierdzewne
 \varnothing 6 T7x7

Weight: 47.0kg

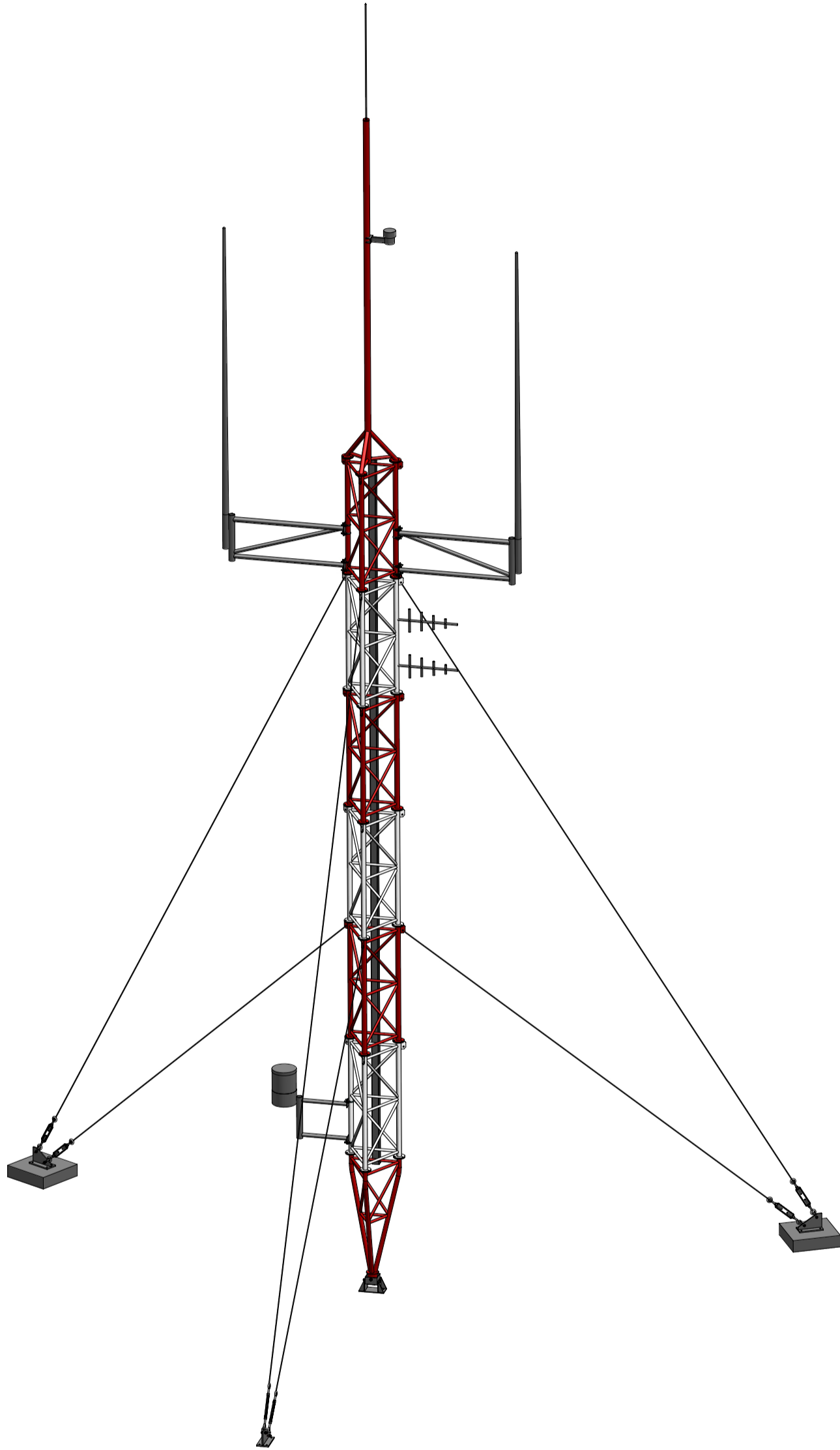
zabezpieczenie
przed upadkiem: szyna Soll
malowanie: prozkowe
ostrzegawcze



typowa stopa przegubowa



AluPro Spółka Cywilna. ul. Bochaterów 26, 03-026 Warszawa			
MATERIAL:	QUANTITY:	DRAWN BY:	D.Wojciechowski
ADDITIONAL INFO:		DATE:	27/04/2022
DRAWING MADE FOR: AluPro		INDUSTRY:	
TITLE: Schemat masztu radiowego typ M400 H=7.0m		3D FILE:	
DESIGNED BY mgr inż. Piotr A. Kopczyński; POM/034-3/PWOK/09		SCALE: 1 : 50	SHEET: 1 of 1
		NR ZLECENIA:	
		DRAWING NUMBER	REV:
		2022.04.27.01A	A



<small> TOLERANCES (UNLESS OTHERWISE SPECIFIED) ISO 2768-1/2018 "M" SERIES LINEAR DIMENSIONS ABOVE 0.5 3 6 30 120 400 1000 2000 TOLERANCE ±0.1 ±0.1 ±0.2 ±0.3 ±0.5 ±0.8 ±1.2 ±2 ANGLES ABOVE 10 10 10 10 10 10 10 10 TOLERANCE ±1° ±1° ±1° ±1° ±1° ±1° ±1° ±1° FINISH ABOVE 10 10 10 10 10 10 10 10 TOLERANCE ±0.1 ±0.1 ±0.1 ±0.1 ±0.1 ±0.1 ±0.1 ±0.1 </small>	<small>THIS DRAWING CONTAINS CONFIDENTIAL INFORMATION WHICH IS THE PROPERTY OF AluPro S.C. COMPANY. THIS DRAWING MAY NOT BE REPRODUCED, TRANSFERRED OR USED, OR ITS CONTENTS DISCLOSED WITHOUT THE PRIOR WRITTEN PERMISSION OF AluPro S.C. COMPANY</small>			
	MATERIAL:		QUANTITY:	DRAWN BY: D.Wojciechowski
	MACHINE:			DATE: 27/04/2022
	DRAWING PREPARED FOR: AluPro		CHECKED BY:	
	TITLE: Schemat masztu radiowego typ M400 H=7.0m - schemat kolorow		3D FILE:	
	FIRST ANGLE PROJECTION:		SCALE: 1 : 40	SHEET: 1 of 1
			JOB NUMBER:	
		DRAWING NO°: 2022.04.27.01A	REV: A	