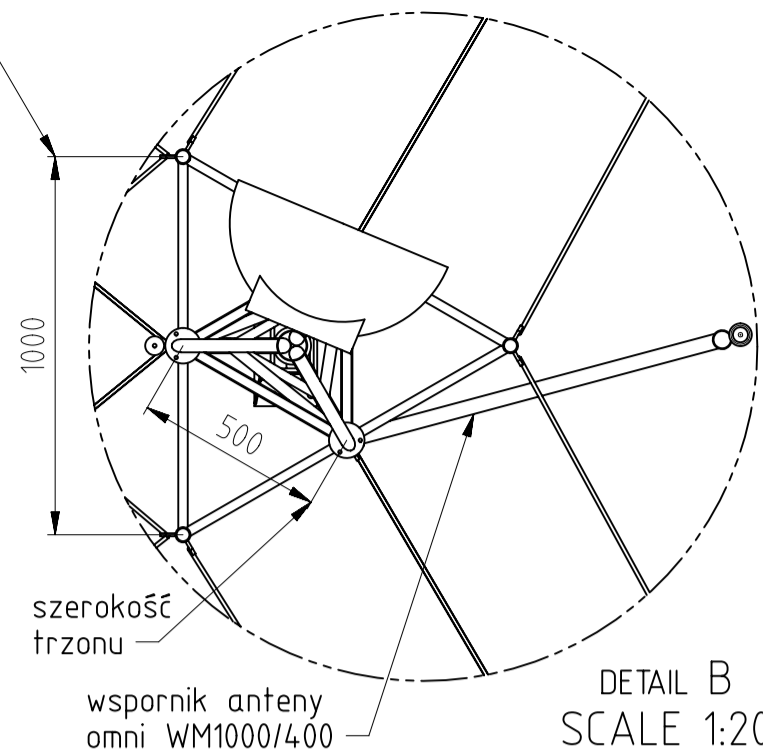
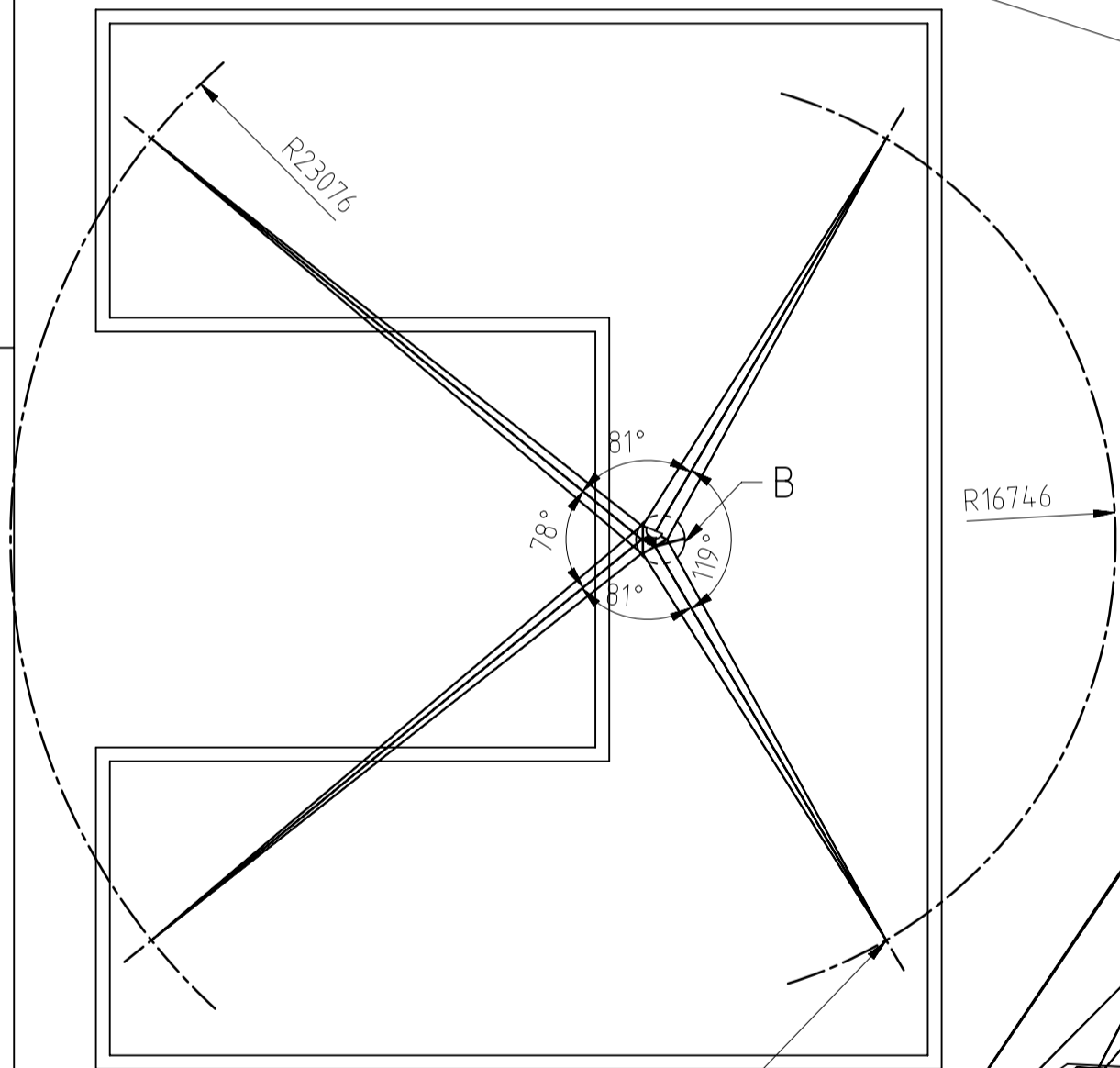


szerokość korony separacyjnej



typowy trzon AluPro typ M500-30



kotwienia odciegów do przygotowanych trzpieni żelbetowych

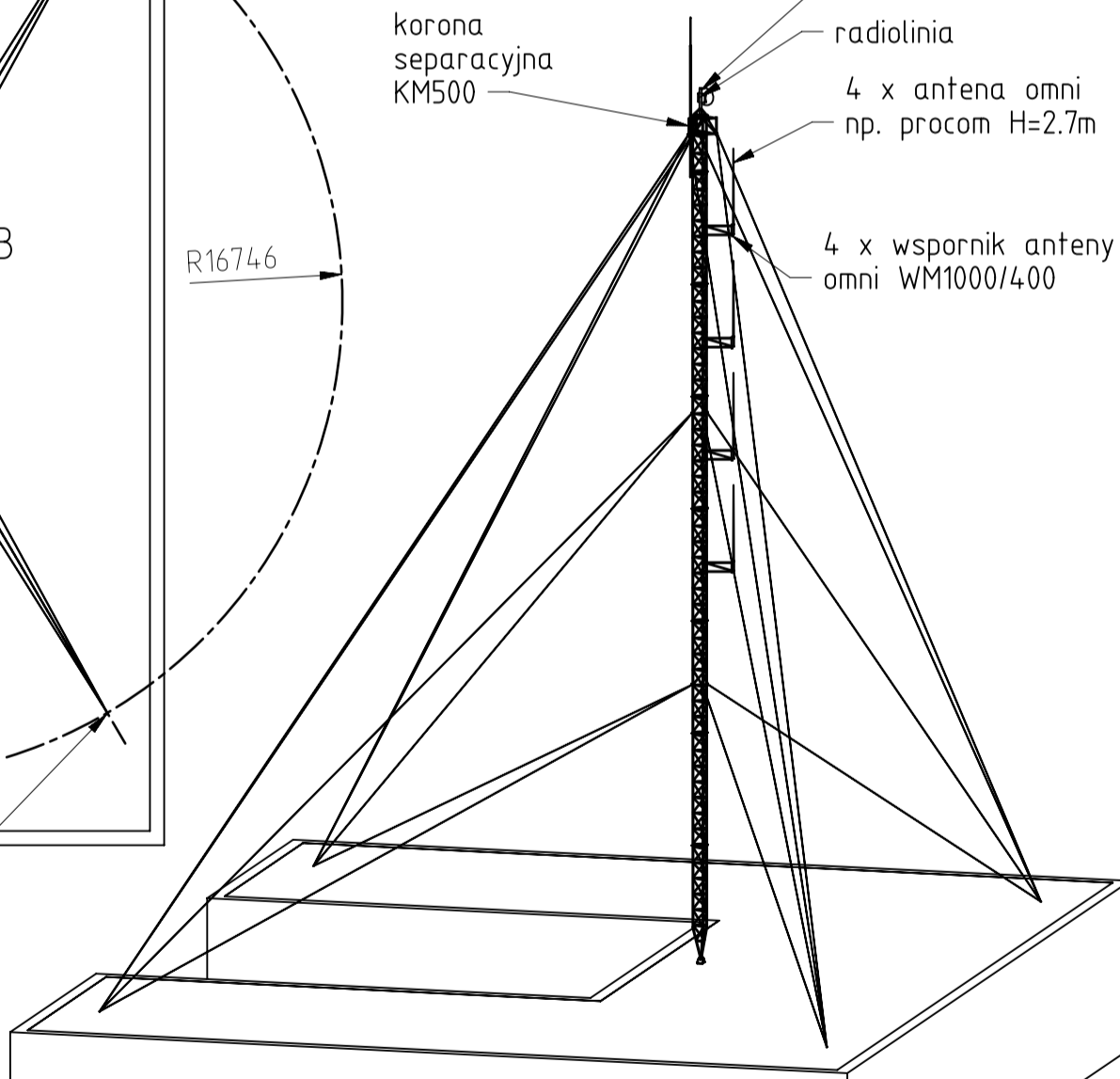
korona separacyjna KM500

wspornik AM500-1000

radiolinia

4 x antena omni np. procom H=2.7m

4 x wspornik anteny omni WM1000/400



obciążenie:

4 x omni H=2.7m
1 x radiolinia D=0.6m

ciężar trzonu: ~165kg

liny: $\varnothing 6.0$ T6x19

<small>TOLERANCES (UNLESS OTHERWISE SPECIFIED) ISO 2768-1:1989 "M" SERIES</small> <small>ABOVE 0.5 0.5 0.6 0.8 1.0 1.2 1.5 2.0 2.5 3.0 4.0 5.0 6.3 8.0 10 12 15 20 25 30 40 50 63 80 100 125 160 200 250 315 400 500 630 800 1000 1250 1600 2000 2500 3150 4000</small> <small>ANGLES 10 12 15 20 25 30 40 50 60 70 80 90 100 110 120 135 150 165 180</small> <small>TOLERANCE ±1° ±1.5° ±2° ±3° ±4° ±5° ±7° ±10° ±15° ±20° ±30° ±45° ±60° ±90° ±120° ±180°</small> <small>LINEAR DIMENSIONS</small>				<small>THIS DRAWING CONTAINS CONFIDENTIAL INFORMATION WHICH IS THE PROPERTY OF AluPro S.C. COMPANY. THIS DRAWING MAY NOT BE REPRODUCED, TRANSFERRED OR USED, OR ITS CONTENTS DISCLOSED WITHOUT THE PRIOR WRITTEN PERMISSION OF AluPro S.C. COMPANY</small>					
MATERIAL:		AW6063T6		QUANTITY:		DRAWN BY:		D.Wojciechowski	
MACHINE:						DATE:		08/06/2018	
DRAWING PREPARED FOR:		AluPro				CHECKED BY:			
TITLE:		Karta katalogowa - maszt M500-30		SCALE:		1 : 250		SHEET: 1 of 1	
KPP Krapkowice - posadowienie na 4 kier.				JOB NUMBER:					
FIRST ANGLE PROJECTION:				DRAWING NO°:		2018.06.08.01A		REV: A	
		AluPro s.c.							