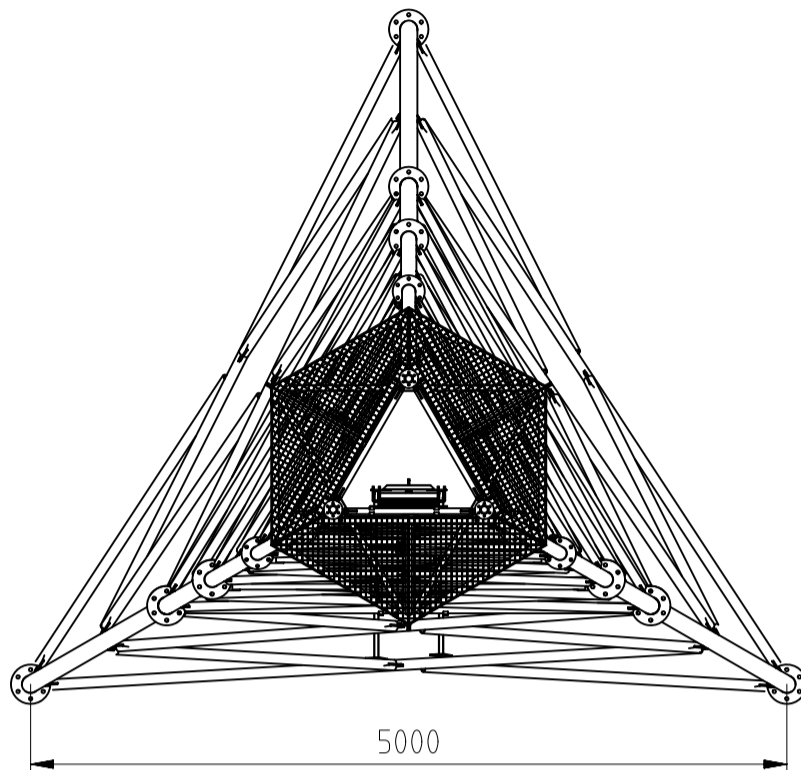
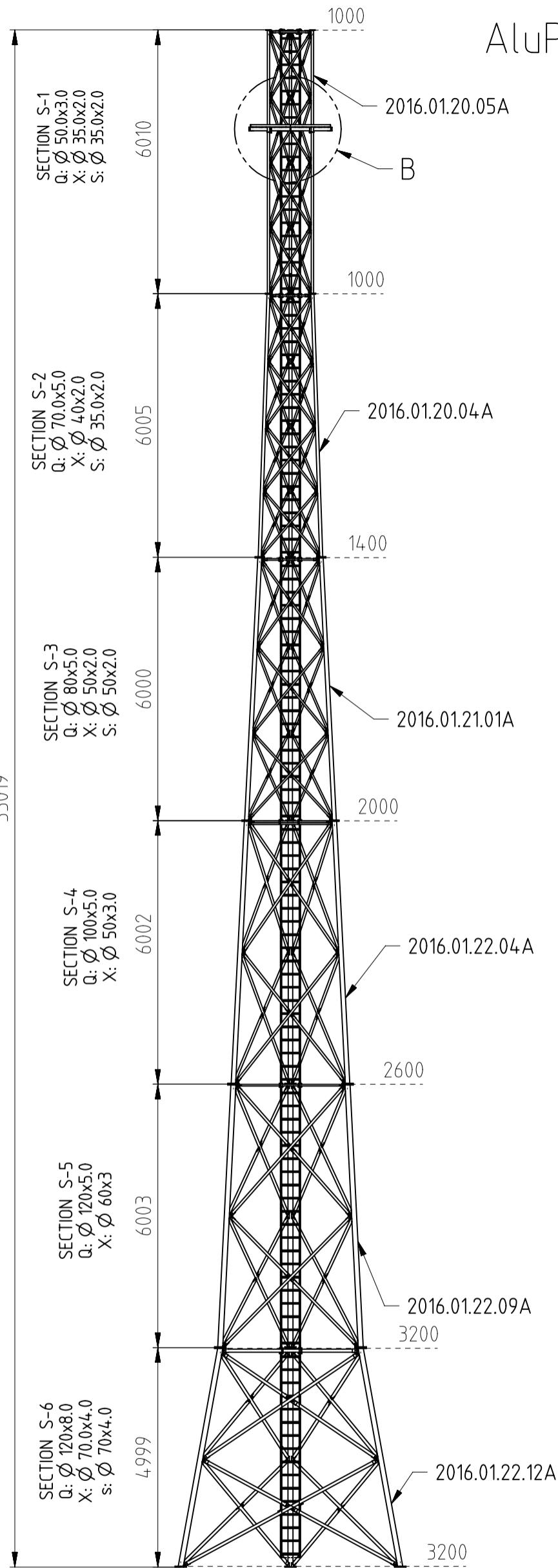


side view 1:100

# Assembly drawing AluPro aluminum tower type W35-10-50 H=35.0m

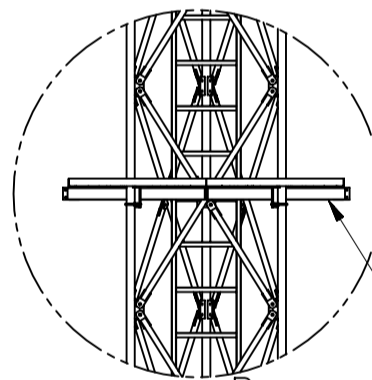
top view 1:50

35019



basic data:

- Height: 35m
- Weight: ~1180kg
- Material: aluminum AW6082T6
- Bottom width: 5.0m
- top width: 1.0m
- ladder: yes, inside
- sections joints: flanges with 6 bolts



DETAIL B  
SCALE 1:50

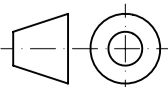
technical platform

Available accessories:

- Securo system (safety system for technician)
- antenna holders (radiolink, sectorial, omni)
- resting hatches
- separation crowns
- cable ladders
- etc.

<p>TOLERANCES (UNLESS OTHERWISE SPECIFIED) ISO 2768-1/2018 "M" SERIES</p> <table border="1"> <tr> <th>LINEAR DIMENSIONS</th> <th>0.5</th> <th>3</th> <th>6</th> <th>30</th> <th>100</th> <th>400</th> <th>1000</th> <th>2000</th> <th>4000</th> </tr> <tr> <td>ABOVE</td> <td>±0.1</td> <td>±0.15</td> <td>±0.2</td> <td>±0.3</td> <td>±0.4</td> <td>±0.5</td> <td>±0.6</td> <td>±0.8</td> <td>±1.0</td> </tr> <tr> <td>BELOW</td> <td>±0.1</td> <td>±0.15</td> <td>±0.2</td> <td>±0.3</td> <td>±0.4</td> <td>±0.5</td> <td>±0.6</td> <td>±0.8</td> <td>±1.0</td> </tr> </table>	LINEAR DIMENSIONS	0.5	3	6	30	100	400	1000	2000	4000	ABOVE	±0.1	±0.15	±0.2	±0.3	±0.4	±0.5	±0.6	±0.8	±1.0	BELOW	±0.1	±0.15	±0.2	±0.3	±0.4	±0.5	±0.6	±0.8	±1.0	THIS DRAWING CONTAINS CONFIDENTIAL INFORMATION WHICH IS THE PROPERTY OF AluPro S.C. COMPANY. THIS DRAWING MAY NOT BE REPRODUCED, TRANSFERRED OR USED, OR ITS CONTENTS DISCLOSED WITHOUT THE PRIOR WRITTEN PERMISSION OF AluPro S.C. COMPANY			
	LINEAR DIMENSIONS	0.5	3	6	30	100	400	1000	2000	4000																								
	ABOVE	±0.1	±0.15	±0.2	±0.3	±0.4	±0.5	±0.6	±0.8	±1.0																								
	BELOW	±0.1	±0.15	±0.2	±0.3	±0.4	±0.5	±0.6	±0.8	±1.0																								
	MATERIAL:	AW6063T6/AW6082T6	QUANTITY:	DRAWN BY:	D.Wojciechowski																													
	MACHINE:			DATE:	05/10/2022																													
DRAWING PREPARED FOR:	AluPro		CHECKED BY:																															
TITLE:	Tower W35-10-50 Assembly drawing		3D FILE:																															
			SCALE:	1 : 100																														
			JOB NUMBER:																															
			DRAWING NO°:	2022.10.05.01A																														
			REV:	A																														

FIRST ANGLE PROJECTION:



AluPro s.c.