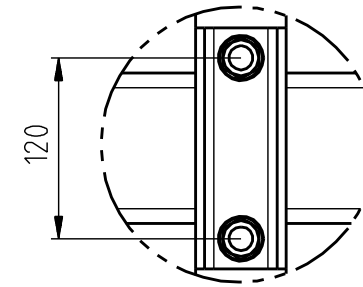
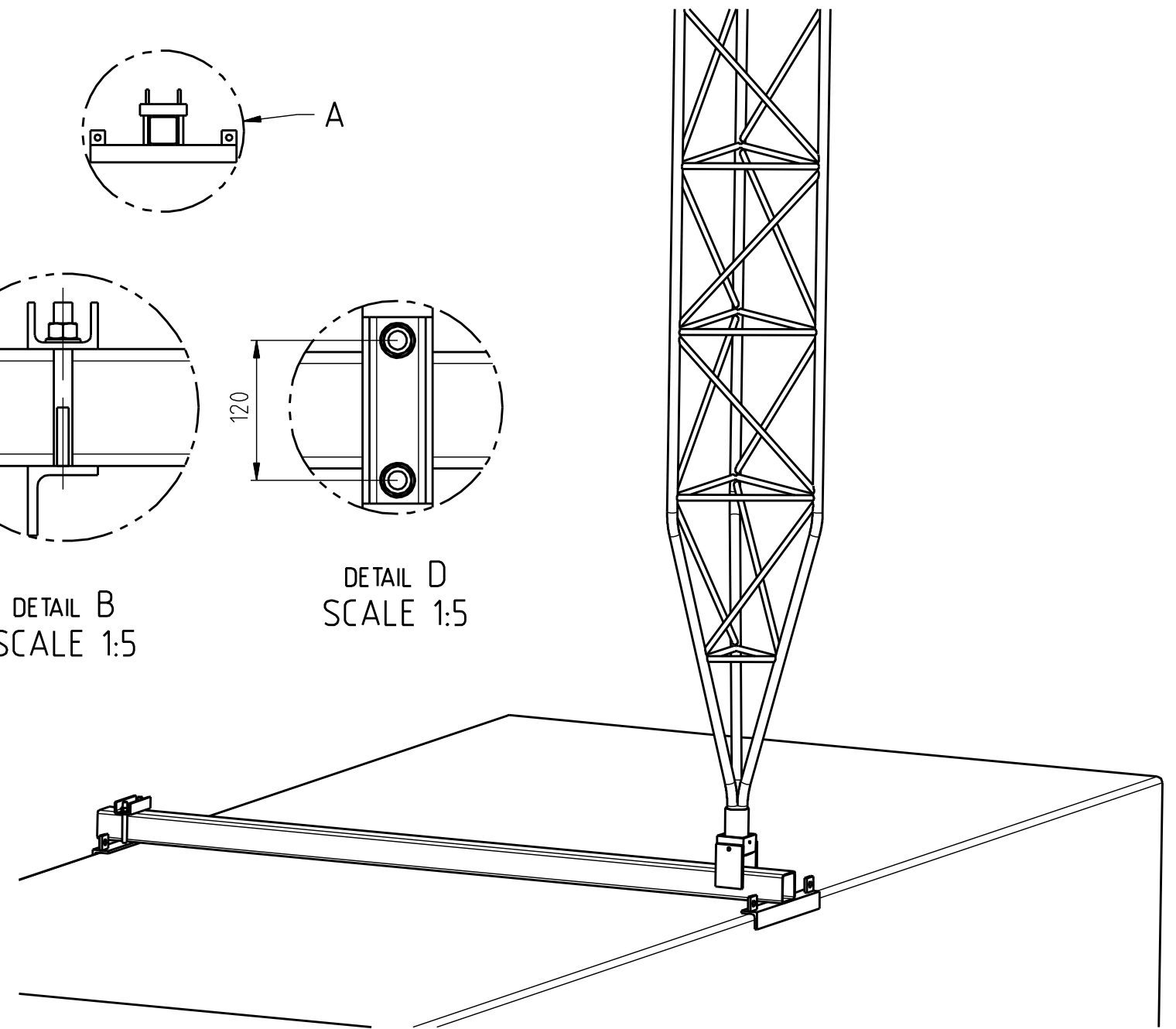
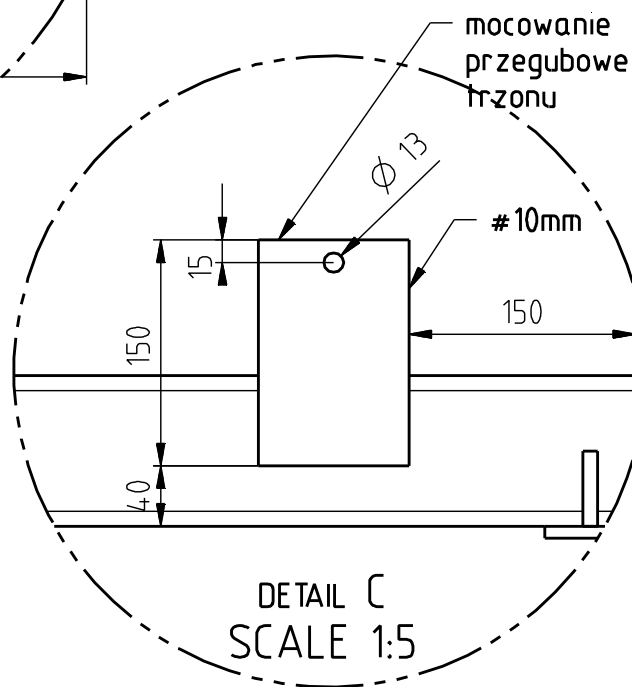
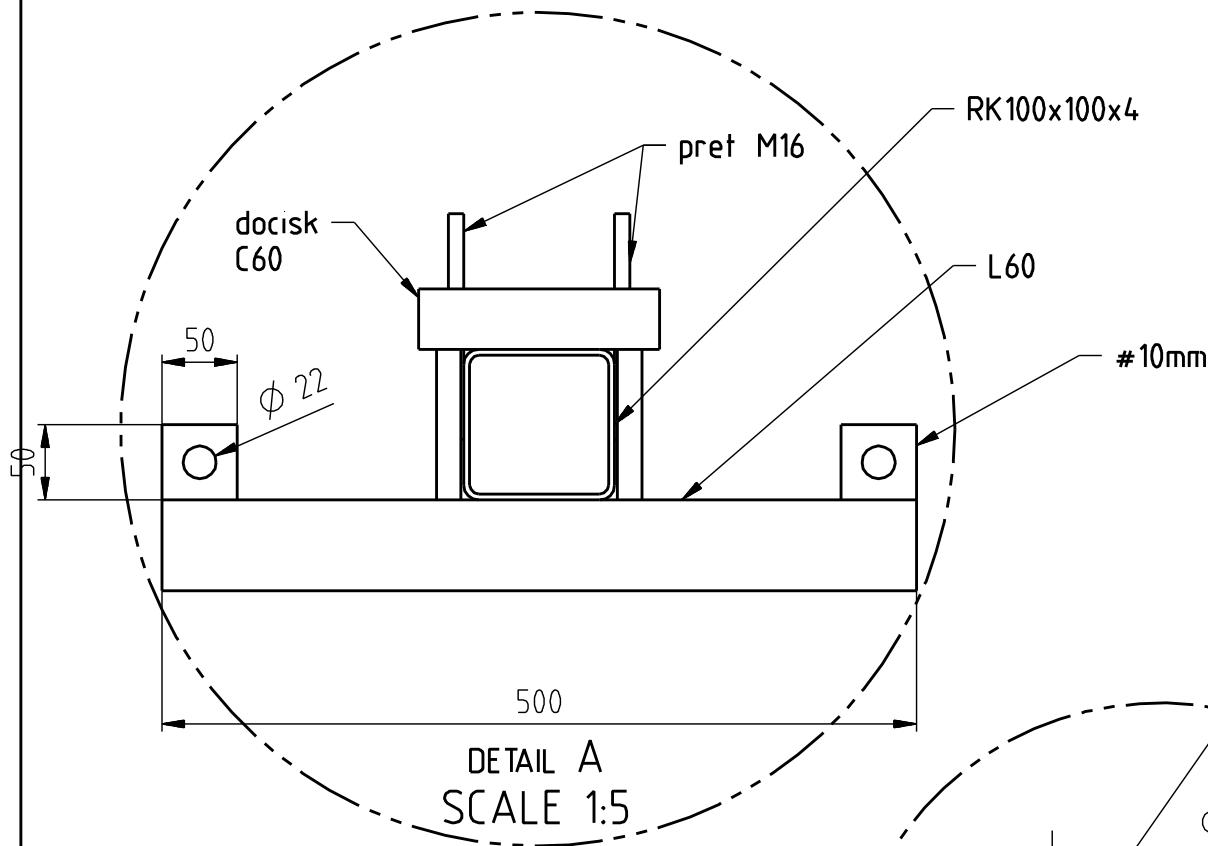


DETAIL B
SCALE 1:5



DETAIL D
SCALE 1:5



<small> TOLERANCES (UNLESS OTHERWISE SPECIFIED) ISO 2768-1/1998 "M" SERIES HANEK 0.5 3 6 30 120 140 180 1000 2000 DEKRETY 0.5 3 6 30 120 140 180 1000 2000 4000 WSKŁADKI 0.5 3 6 30 120 140 180 1000 2000 4000 WSKŁADKI 0.5 3 6 30 120 140 180 1000 2000 4000 WSKŁADKI 0.5 3 6 30 120 140 180 1000 2000 4000 </small>				<small> THIS DRAWING CONTAINS CONFIDENTIAL INFORMATION WHICH IS THE PROPERTY OF P.P.H.U. ELMAX S.C. COMPANY. THIS DRAWING MAY NOT BE REPRODUCED, TRANSFERRED OR USED, OR ITS CONTENTS DISCLOSED WHITOUT THE PRIOR WRITTEN PERMISSION OF P.P.H.U. ELMAX S.C. COMPANY </small>			
MATERIAL:		QUANTITY:		DRAWN BY: D Wojciechowski			
MACHINE:				DATE:			
DRAWING PREPARED FOR: AluPro				CHECKED BY:			
TITLE:				3D FILE:			
		SCALE: 1 : 1		SHEET: 1 of 1			
		JOB NUMBER:					
FIRST ANGLE PROJECTION:		DRAWING NO.:		REV: A			
		AluPro					