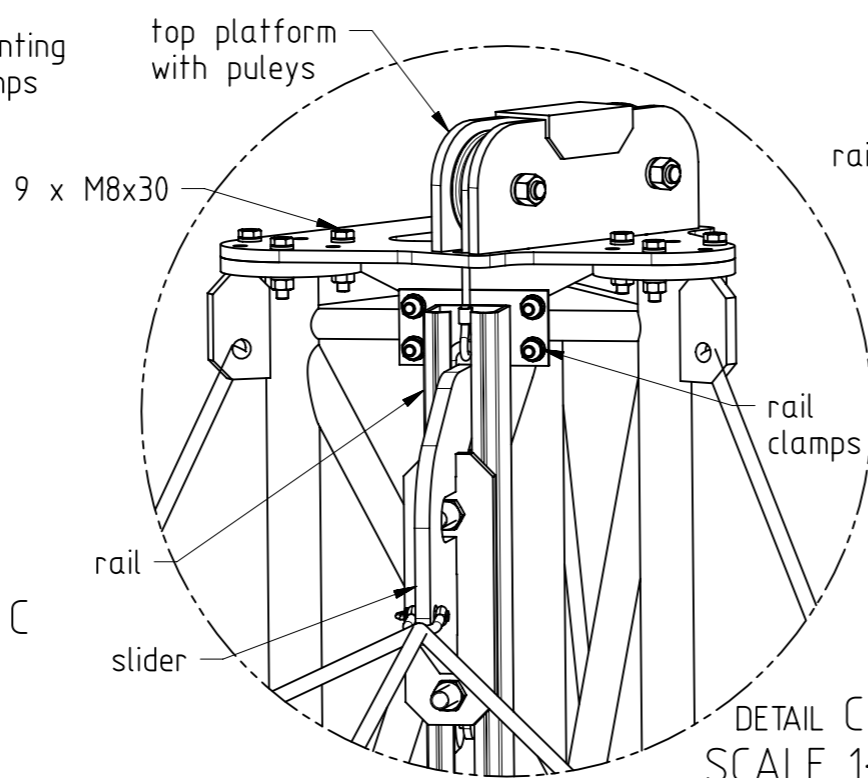
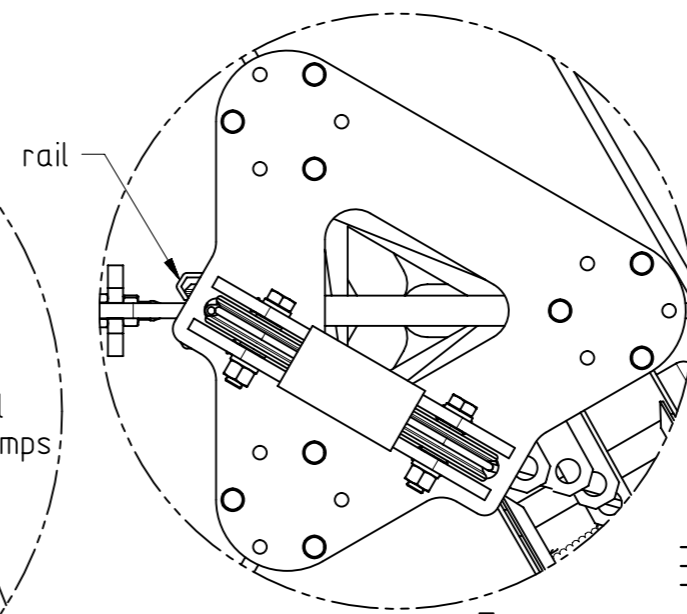


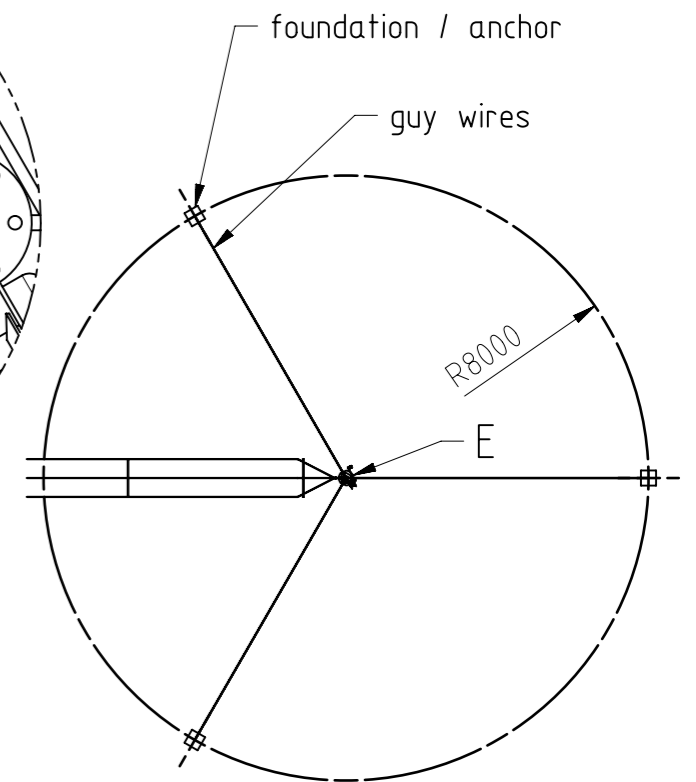
DETAIL D
SCALE 1:5



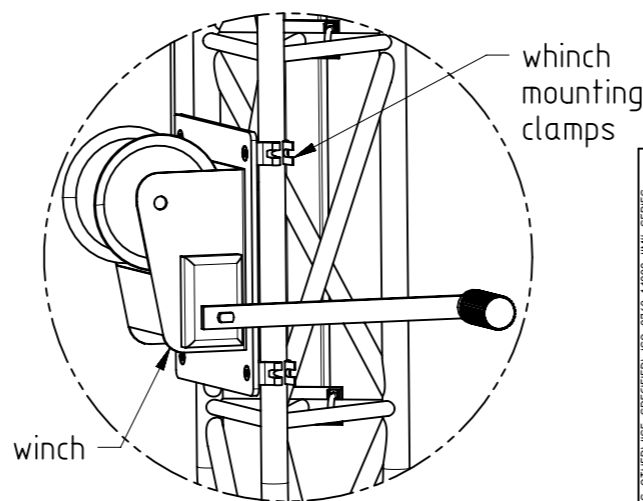
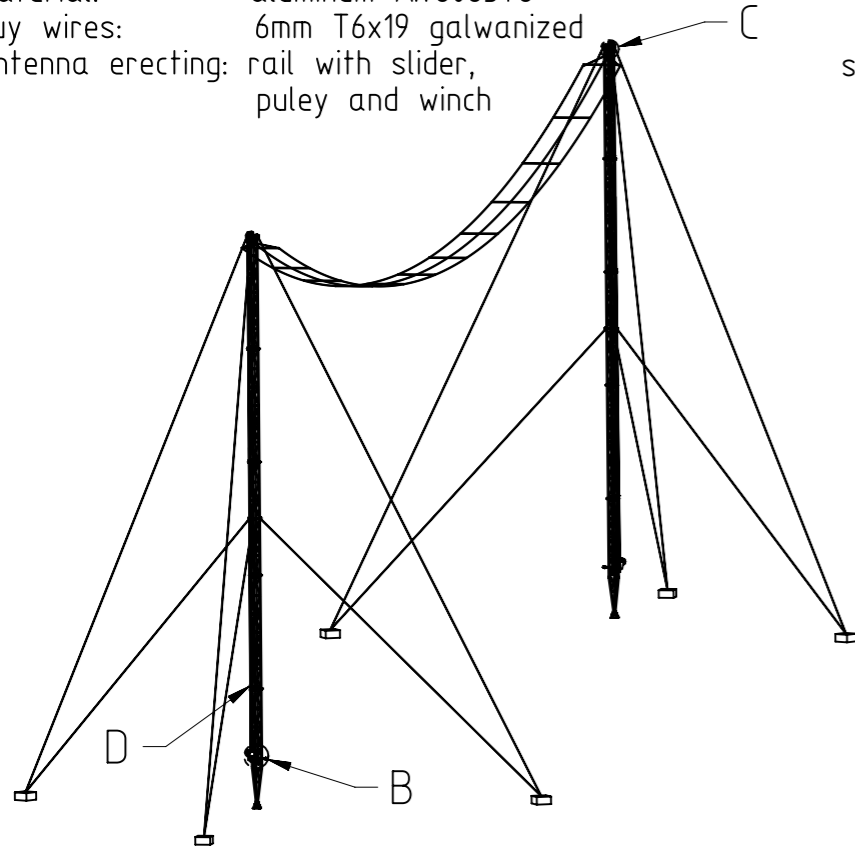
DETAIL C
SCALE 1:5



DETAIL E
SCALE 1:5



specification:
 Mast height: 15m
 masts weight: 2 x 76kg
 material: aluminum AW6063T6
 guy wires: 6mm T6x19 galvanized
 antenna erecting: rail with slider,
 puley and winch



DETAIL B
SCALE 1:10

TOLERANCES UNLESS OTHERWISE SPECIFIED: ISO 2768-1999 "M" SERIES	10	50	120	400
IN DIMENSIONS ABOVE	±0.1	±0.15	±0.2	±0.3
IN DIMENSIONS TO	±0.05	±0.07	±0.1	±0.15
IN ANGLES	±1'	±1'	±1'	±1'
FINISHES	±0.05	±0.05	±0.05	±0.05
PERFORMANCE	±0.1	±0.1	±0.1	±0.1
LINEAR DIMENSIONS	±0.1	±0.1	±0.1	±0.1

THIS DRAWING CONTAINS CONFIDENTIAL INFORMATION WHICH IS THE PROPERTY OF AluPro SC COMPANY. THIS DRAWING MAY NOT BE REPRODUCED, TRANSFERRED OR USED, OR ITS CONTENTS DISCLOSED WITHOUT THE PRIOR WRITTEN PERMISSION OF AluPro SC COMPANY

MATERIAL:	QUANTITY:	DRAWN BY:	D.Wojciechowski
MACHINE:		DATE:	15/12/2020
DRAWING PREPARED FOR:	AluPro	CHECKED BY:	
TITLE:	masts for multiwire dipol antenna with erecting system H=15.0m	3D FILE:	
FIRST ANGLE PROJECTION:		SCALE:	1 : 200
		JOB NUMBER:	
		DRAWING NO°:	2020.12.15.01A
		REV:	A

SHEET: 1 of 1