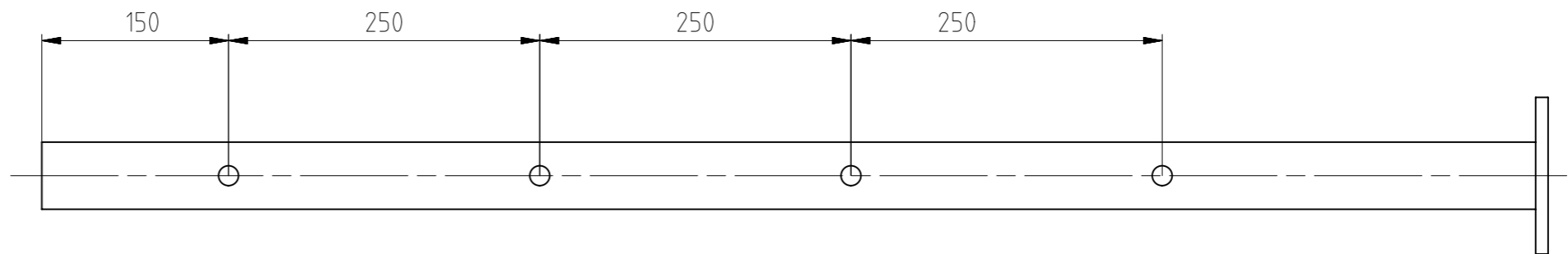


DETAIL A
SCALE 3:10



<small> TOLERANCES UNLESS OTHERWISE SPECIFIED ISO 7269-1:1989 "M" SERIES ABOVE 0.5 3 6 30 120 400 1000 10000 IN mm ABOVE 0.012 0.025 0.05 0.1 0.2 0.5 1 2 TO 3 6 30 120 400 1000 2000 4000 TOLERANCE ±0.1 ±0.1 ±0.1 ±0.2 ±0.3 ±0.5 ±0.8 ±1.2 ±2 LINEAR DIMENSIONS </small>	MATERIAL:	S235	QUANTITY:	3	DRAWN BY:	
	MACHINE:				DATE:	05-04-2016
	DRAWING PREPARED FOR:	AluPro			CHECKED BY:	
	TITLE:	Anchor for reinforced foundation AFL1			3D FILE:	
	FIRST ANGLE PROJECTION:				SCALE: 1 : 5	SHEET: 1 of 1
				JOB NUMBER:		
				DRAWING NO°:		2016.04.05.01A
				REV:		A