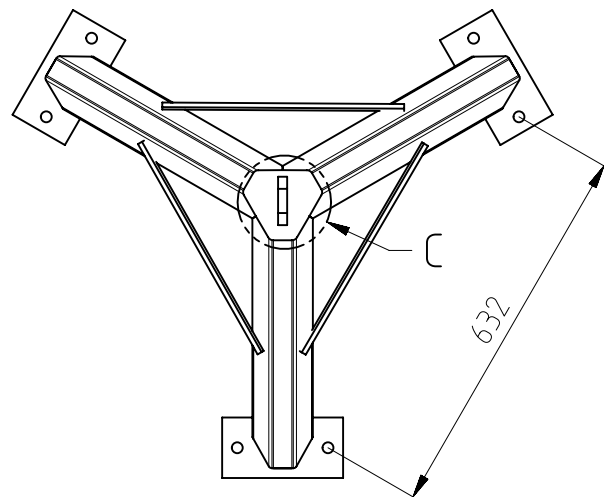
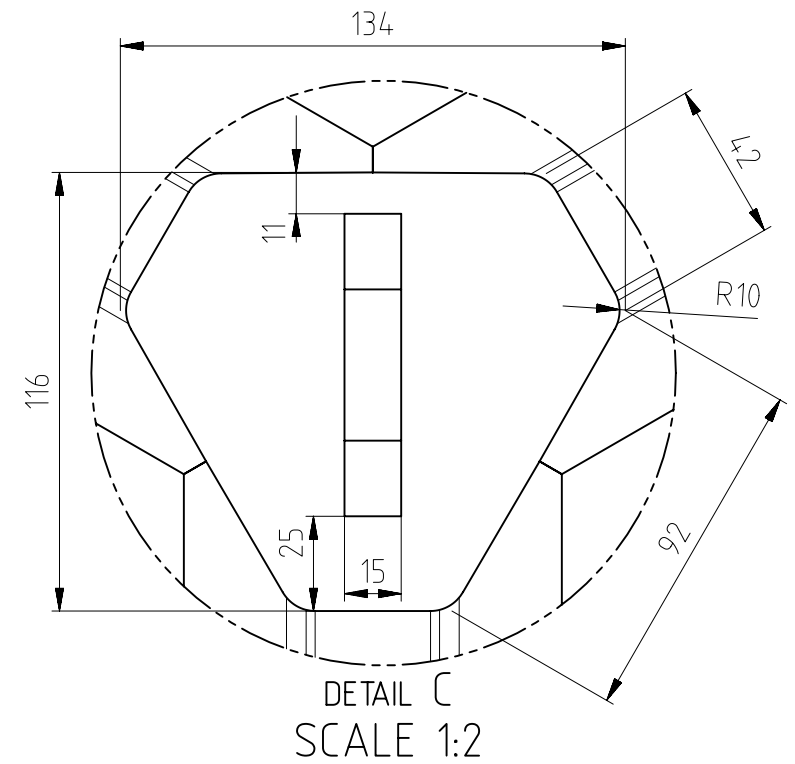
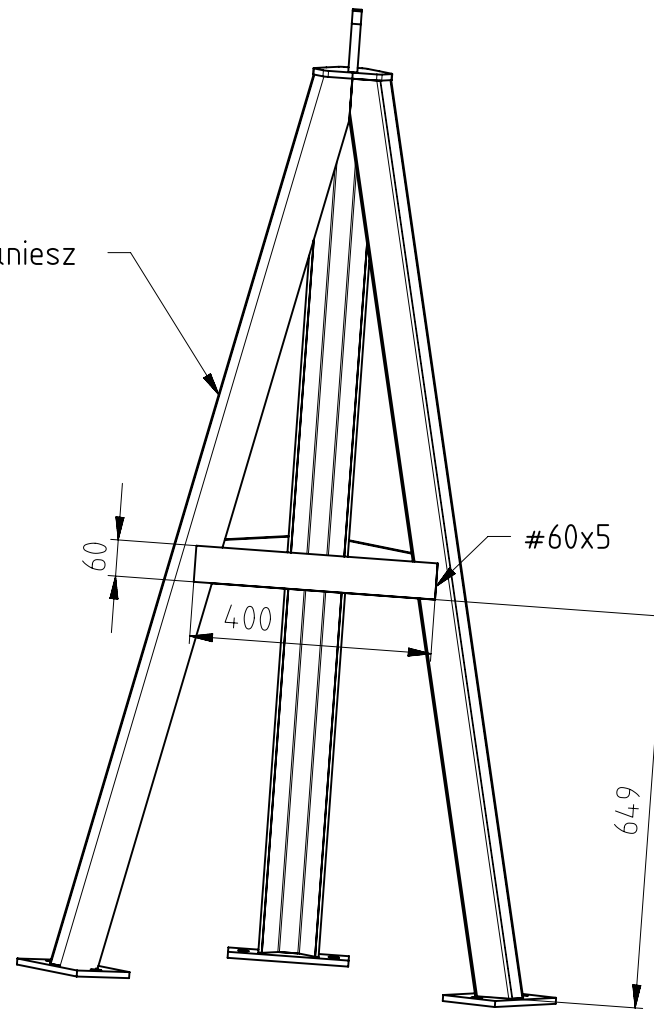


to dostaniesz gotowe



<small> TOLERANCES UNLESS OTHERWISE SPECIFIED: ISO 7243-1:1989 "M" SERIES: ABOVE 0.5 3 6 30 120 400 1000 2000 IN BETWEEN 0.5 3 6 30 120 400 1000 2000 4000 TO 0.5 3 6 30 120 400 1000 2000 4000 TOLERANCE: ±0.1 ±0.1 ±0.2 ±0.3 ±0.5 ±0.8 ±1.2 ±2 </small>	<small>THIS DRAWING CONTAINS CONFIDENTIAL INFORMATION WHICH IS THE PROPERTY OF AluPro SC COMPANY. THIS DRAWING MAY NOT BE REPRODUCED, TRANSFERRED OR USED, OR ITS CONTENTS DISCLOSED WITHOUT THE PRIOR WRITTEN PERMISSION OF AluPro SC COMPANY</small>			
	MATERIAL:	S235	QUANTITY:	6
	MACHINE:		DRAWN BY:	D.Wojciechowski
	DRAWING PREPARED FOR:	AluPro	DATE:	04-03-2016
	TITLE:	fundament stalowy wieza W10-15-10 stozek gora	CHECKED BY:	
	FIRST ANGLE PROJECTION:	AluPro SC	3D FILE:	
			SCALE:	1 : 10
			SHEET:	1 of 1
			JOB NUMBER:	
			DRAWING NO°:	2016.03.04.04A
		REV:	A	