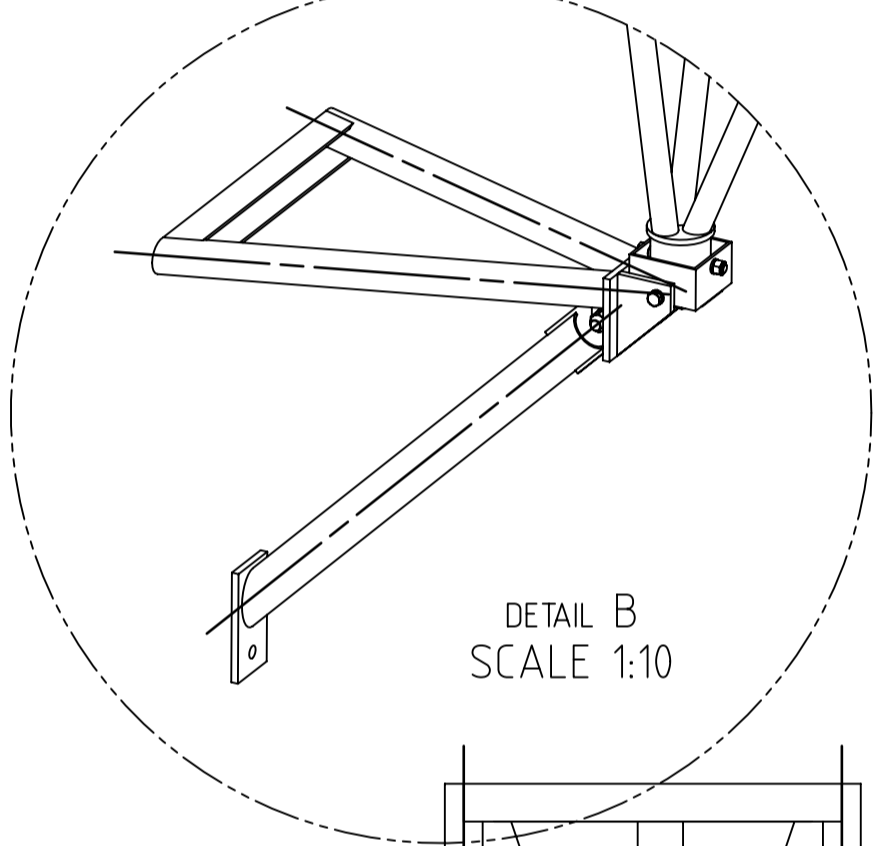
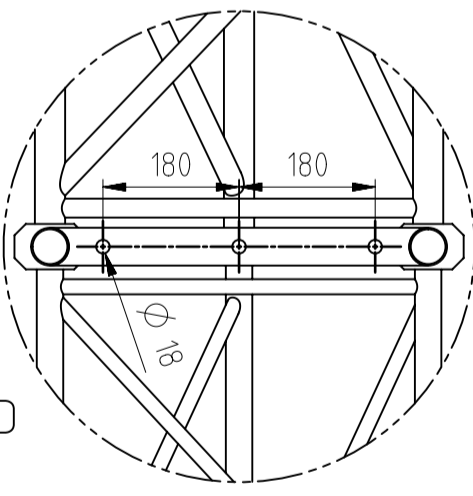


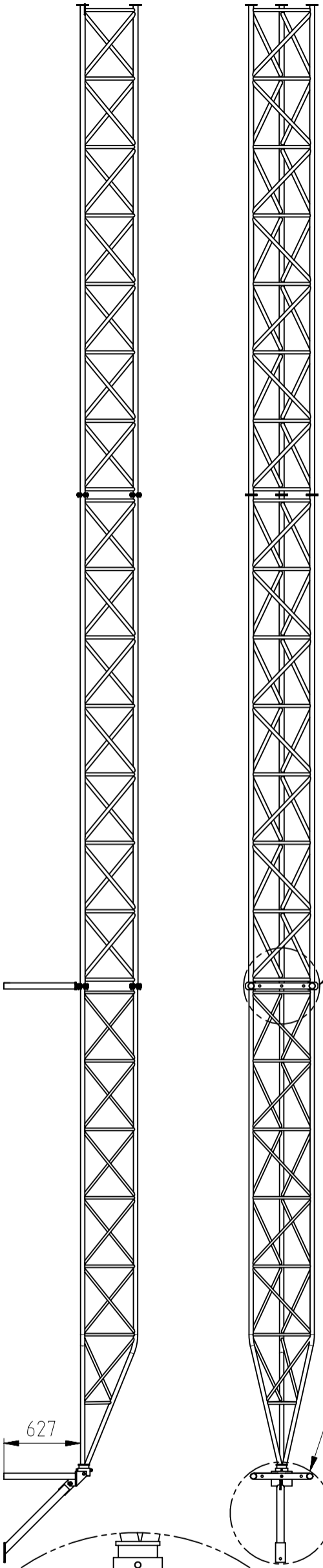
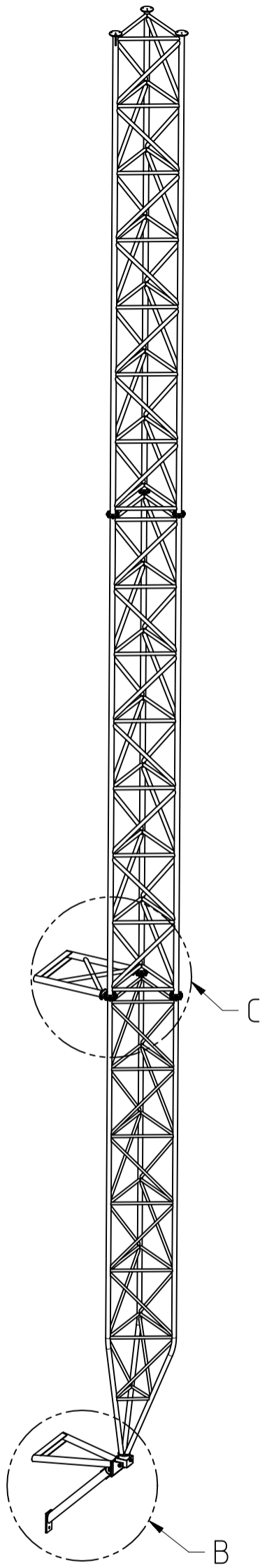
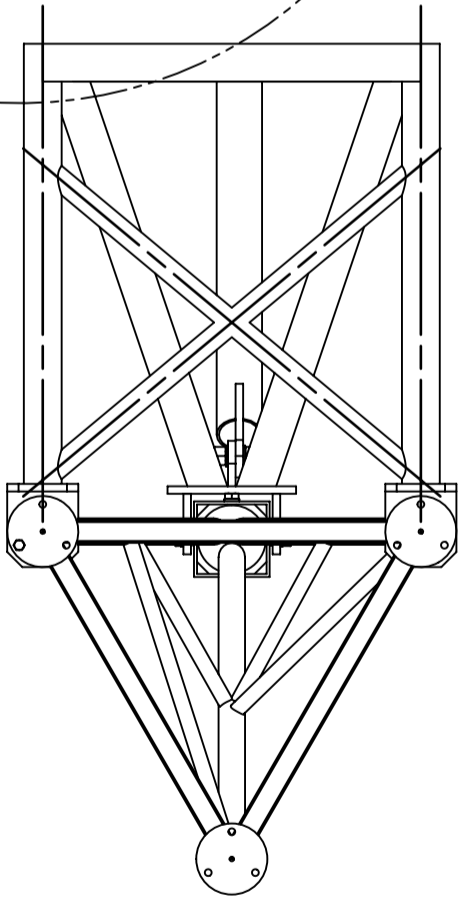
DETAIL C
SCALE 1:10



DETAIL B
SCALE 1:10



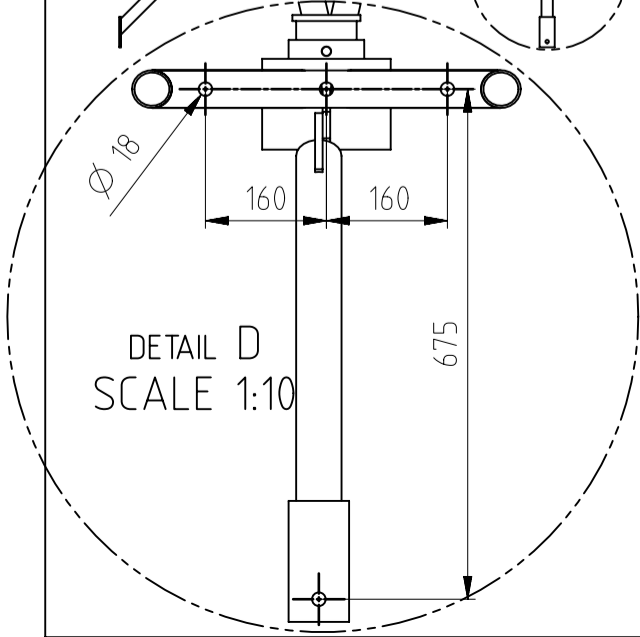
DETAIL E
SCALE 1:10



D



DETAIL D
SCALE 1:10



<small>TOLERANCES (UNLESS OTHERWISE SPECIFIED): ISO 2768-1/2009 "M" SERIES H7/g6 ANGLES TOLERANCE ±1° SURFACE FINISH Ra 1.6 LINEAR DIMENSIONS 10 0.1 0.15 0.2 0.3 0.5 0.8 1.2 2.0 ABOVE 3 6 30 60 120 240 480 960 1920 3840 10 50 100 150 200 250 300 350 400 450 500 550 600 650 700 750 800 850 900 950 1000 1050 1100 1150 1200 1250 1300 1350 1400 1450 1500 1550 1600 1650 1700 1750 1800 1850 1900 1950 2000</small>	THIS DRAWING CONTAINS CONFIDENTIAL INFORMATION WHICH IS THE PROPERTY OF AluPro S.C. COMPANY. THIS DRAWING MAY NOT BE REPRODUCED, TRANSFERRED OR USED, OR ITS CONTENTS DISCLOSED WITHOUT THE PRIOR WRITTEN PERMISSION OF AluPro S.C. COMPANY			
	MATERIAL:		QUANTITY:	DRAWN BY: D.Wojciechowski
	MACHINE:			DATE: 20-02-2017
	DRAWING PREPARED FOR: AluPro			CHECKED BY:
	TITLE: wall mounted M500 - offset 600mm			3D FILE:
FIRST ANGLE PROJECTION:			SCALE: 1 : 50	SHEET: 1 of 1
			DRAWING NO°: 2017.02.20.02A	REV: A