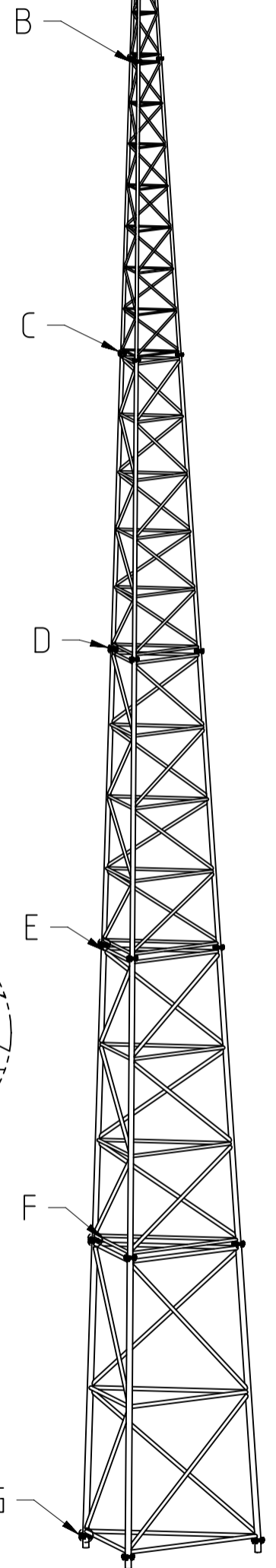
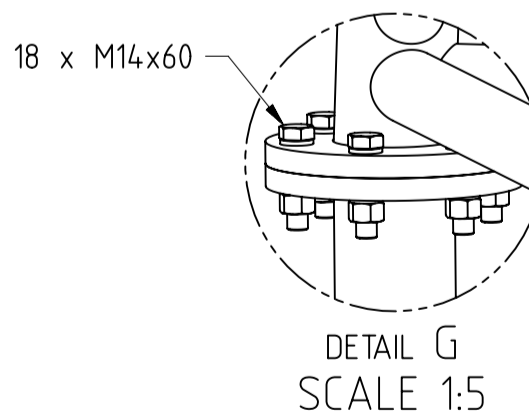
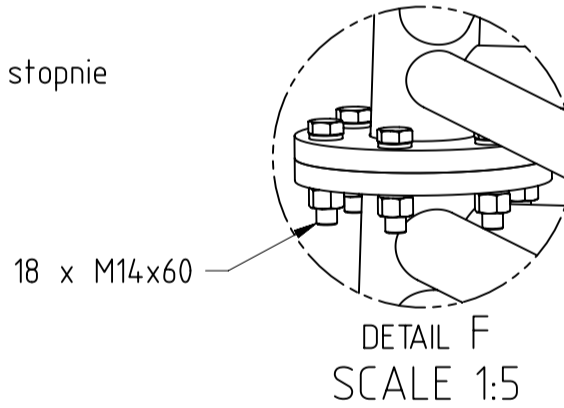
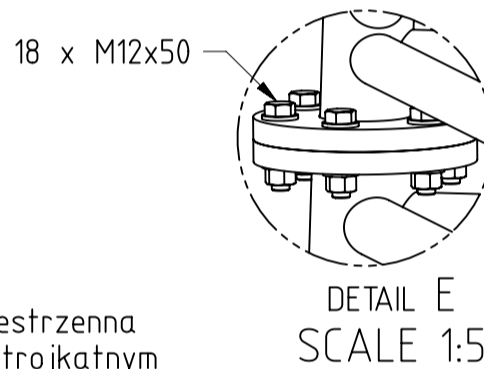
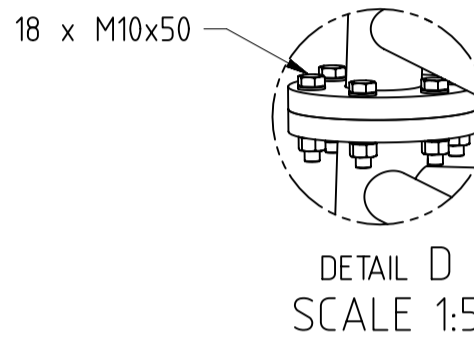
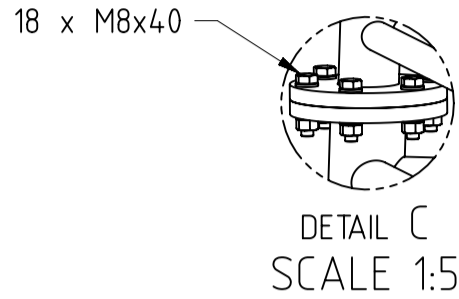
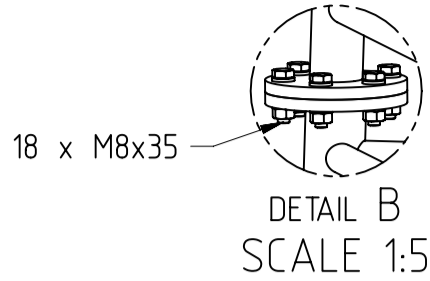
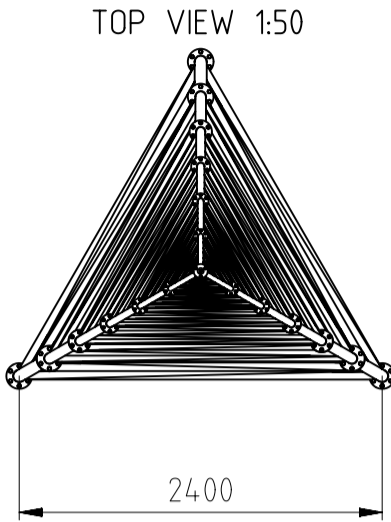
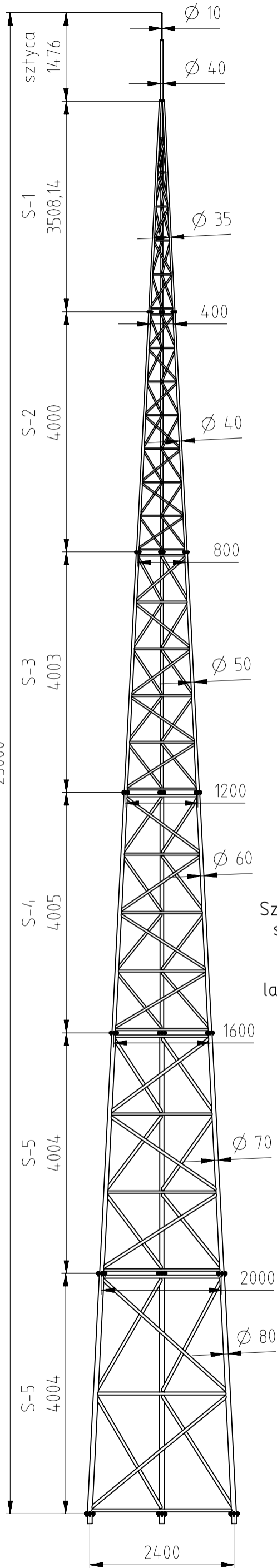


Karta katalogowa
Wieża odgromowa AluPro
T500-25 H=25.0m

Rzut z boku 14:100



Podstawowe dane:

Wysokosc: 25.0m
 Typ konstrukcji: kratownica przestrzenna o przekroju trojkatnym
 Ciężar: 221kg
 materiał: aluminium AW6063T6 / AW6082T6
 Szerokosc podstawy: 2.4m
 szerokosc szczytu: 40mm
 climbing ladder: opcjonalnie stopnie wlawowe
 laczenie segmentow: kolnierze

<small>TOLERANCES (UNLESS OTHERWISE SPECIFIED) ISO 2768-1:2019 "M" SERIES</small>																											
<small>LINEAR DIMENSIONS</small>	<table border="1"> <tr> <th>SYMBOL</th> <th>SIZE</th> <th>TOLERANCE</th> </tr> <tr> <td rowspan="3">H</td> <td>3 - 30</td> <td>± 0.1</td> </tr> <tr> <td>30 - 120</td> <td>± 0.15</td> </tr> <tr> <td>120 - 400</td> <td>± 0.2</td> </tr> <tr> <td rowspan="3">f</td> <td>3 - 30</td> <td>± 0.05</td> </tr> <tr> <td>30 - 120</td> <td>± 0.07</td> </tr> <tr> <td>120 - 400</td> <td>± 0.1</td> </tr> <tr> <td rowspan="2">A</td> <td>3 - 30</td> <td>± 0.03</td> </tr> <tr> <td>30 - 120</td> <td>± 0.05</td> </tr> </table>	SYMBOL	SIZE	TOLERANCE	H	3 - 30	± 0.1	30 - 120	± 0.15	120 - 400	± 0.2	f	3 - 30	± 0.05	30 - 120	± 0.07	120 - 400	± 0.1	A	3 - 30	± 0.03	30 - 120	± 0.05	THIS DRAWING CONTAINS CONFIDENTIAL INFORMATION WHICH IS THE PROPERTY OF AluPro S.C. COMPANY. THIS DRAWING MAY NOT BE REPRODUCED, TRANSFERRED OR USED, OR ITS CONTENTS DISCLOSED WITHOUT THE PRIOR WRITTEN PERMISSION OF AluPro S.C. COMPANY			
		SYMBOL	SIZE	TOLERANCE																							
H	3 - 30	± 0.1																									
	30 - 120	± 0.15																									
	120 - 400	± 0.2																									
f	3 - 30	± 0.05																									
	30 - 120	± 0.07																									
	120 - 400	± 0.1																									
A	3 - 30	± 0.03																									
	30 - 120	± 0.05																									
MATERIAL: AW6063T6	QUANTITY:	DRAWN BY: D.Wojciechowski																									
MACHINE:		DATE: 19/04/2019																									
DRAWING PREPARED FOR: AluPro		CHECKED BY:																									
TITLE: Karta katalogowa Wieża odgromowa T500-25 H=25m		3D FILE:																									
FIRST ANGLE PROJECTION:		SCALE: 14:100	SHEET: 1 of 1																								
AluPro s.c.		DRAWING NO°: 2019.04.19.01A	REV: A																								