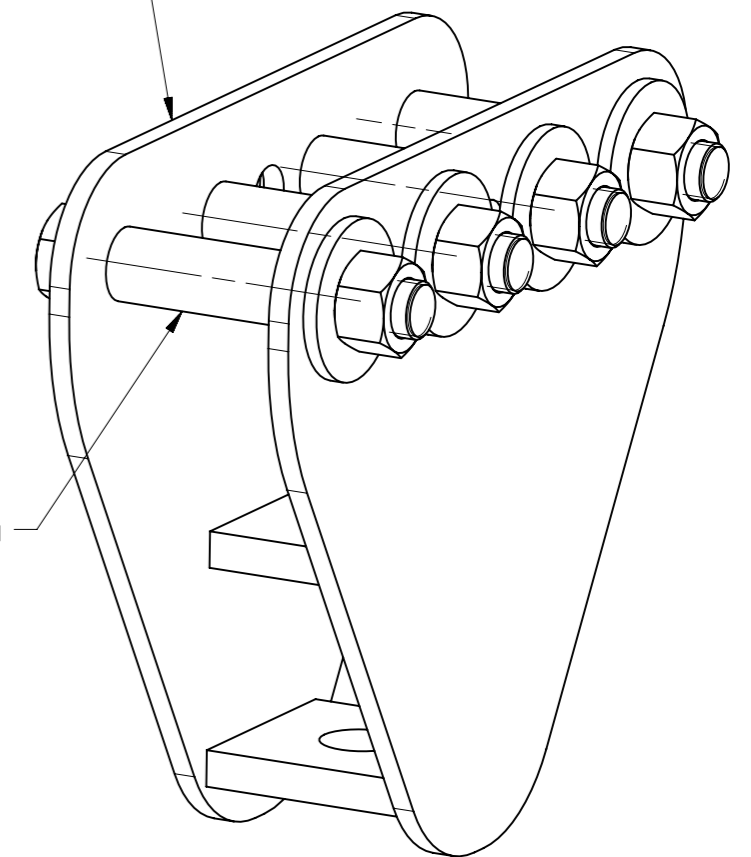


4 x tulejka alu
 $\phi 20 \times 2$

wykorzystać 6szt istniejących blach



<small> TOLERANCES UNLESS OTHERWISE SPECIFIED ISO 7269-1:1989 "M" SERIES: ABOVE 0.5 3 6 30 120 400 1000 2000 IN mm ABOVE 10 50 120 400 ANGLES TO 10 50 120 400 TOLERANCE ± 1° ± 1.30° ± 0.70° ± 0.10° ± 0.05° SURFACE ± 0.1 ± 0.1 ± 0.2 ± 0.3 ± 0.5 ± 0.8 ± 1.2 ± 2 LINEAR DIMENSIONS </small>	THIS DRAWING CONTAINS CONFIDENTIAL INFORMATION WHICH IS THE PROPERTY OF P.P.H.U. ELMAX S.C. COMPANY. THIS DRAWING MAY NOT BE REPRODUCED, TRANSFERRED OR USED, OR ITS CONTENTS DISCLOSED WITHOUT THE PRIOR WRITTEN PERMISSION OF P.P.H.U. ELMAX S.C. COMPANY			
	MATERIAL:	Sł3S	QUANTITY:	6
	MACHINE:		DRAWN BY:	D.Wojciechowski
	DRAWING PREPARED FOR:	AluPro	DATE:	14-08-2014
	TITLE:	Equalizer GasTel	CHECKED BY:	
	FIRST ANGLE PROJECTION:		3D FILE:	
		AluPro	SCALE:	1 : 2
			SHEET:	1 of 1
			JOB NUMBER:	
			DRAWING NO°:	2014.08.14.04A
		REV:	A	