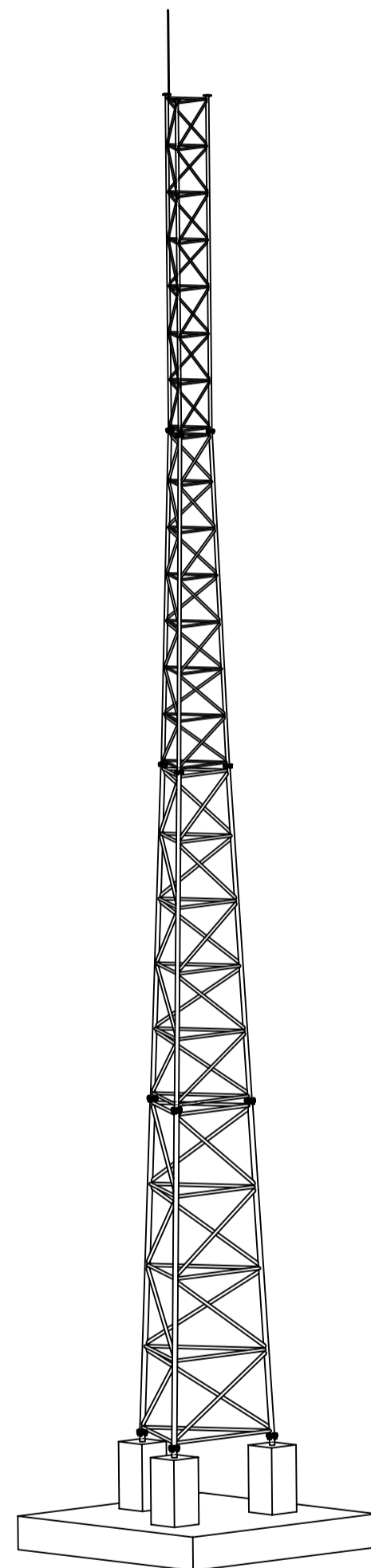
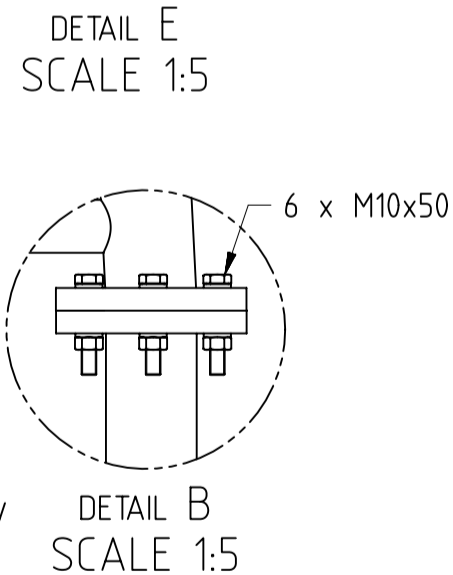
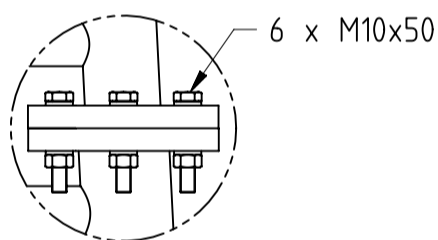
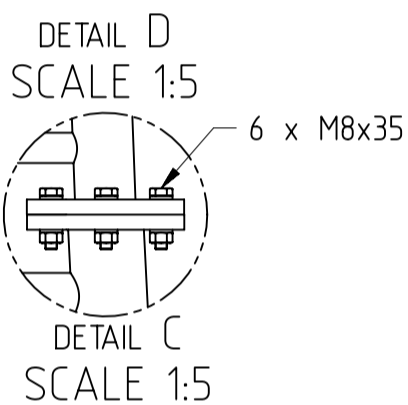
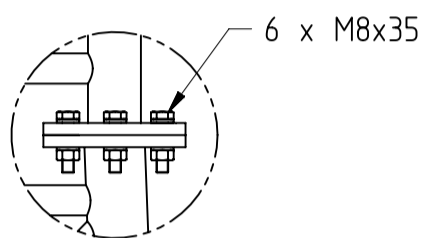
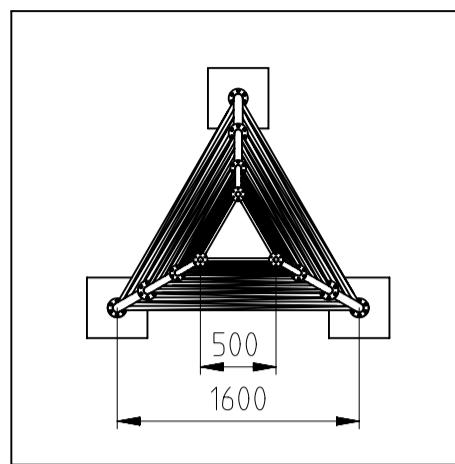
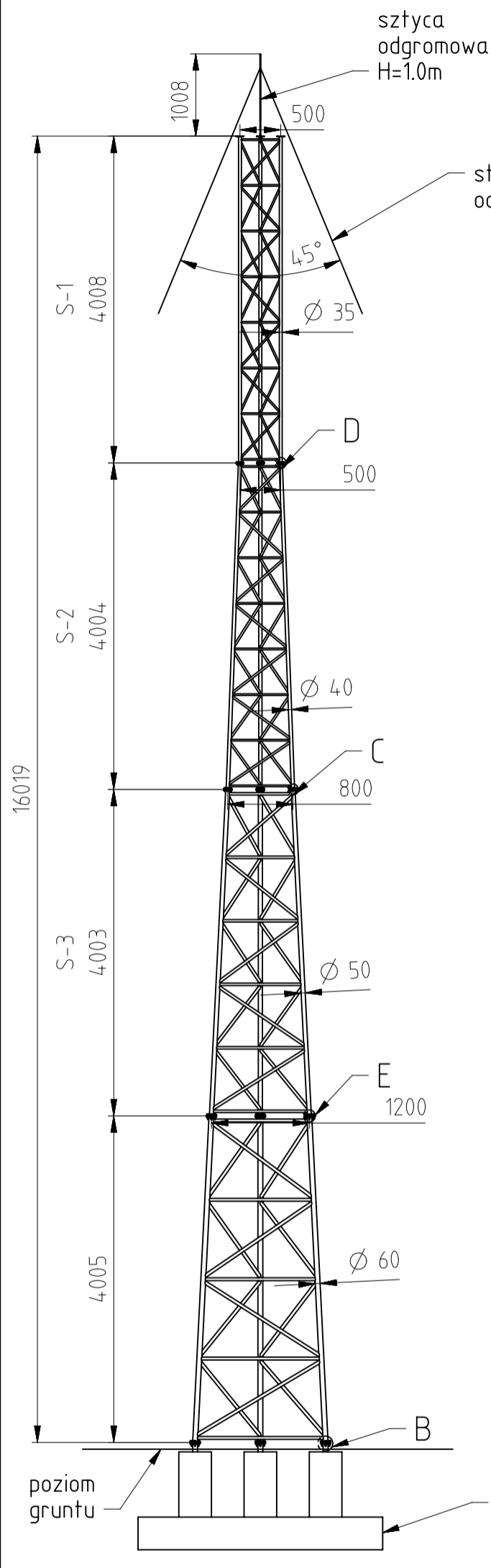


Karta katalogowa

wieża kratownicowa aluminiowa

AluPro typ T500-16 H=16.0m



Podstawowe parametry techniczne:

wysokosc: 16.0m
 cięzar: 96kg
 dop. obciążenie: 0.5m anten
 w I strefie wiatrowej
 szer. podstawy: 1.6m
 szer. na szczycie: 0.5m
 material: stop aluminium

<small>TOLERANCES (UNLESS OTHERWISE SPECIFIED) ISO 2768-1/2001 SERIES</small> <small>LINEAR DIMENSIONS</small>	THIS DRAWING CONTAINS CONFIDENTIAL INFORMATION WHICH IS THE PROPERTY OF AluPro S.C. COMPANY. THIS DRAWING MAY NOT BE REPRODUCED, TRANSFERRED OR USED, OR ITS CONTENTS DISCLOSED WITHOUT THE PRIOR WRITTEN PERMISSION OF AluPro S.C. COMPANY			
	MATERIAL:	ALU	QUANTITY:	DRAWN BY: D.Wojciechowski
	MACHINE:			DATE: 12/11/2019
	DRAWING PREPARED FOR:	AluPro		CHECKED BY:
	TITLE:	wieża kratownicowa aluminiowa AluPro typ T500-16		3D FILE:
FIRST ANGLE PROJECTION:	AluPro s.c.		SCALE: 1 : 50	SHEET: 1 of 1
			JOB NUMBER:	DRAWING NO°: 2019.11.12.01A
				REV: A