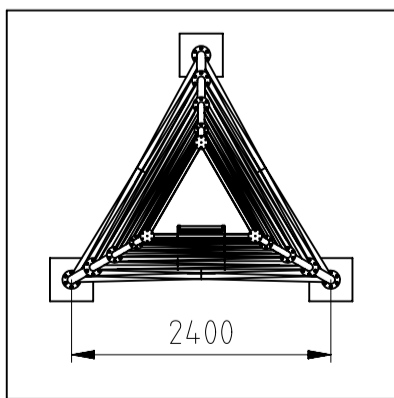
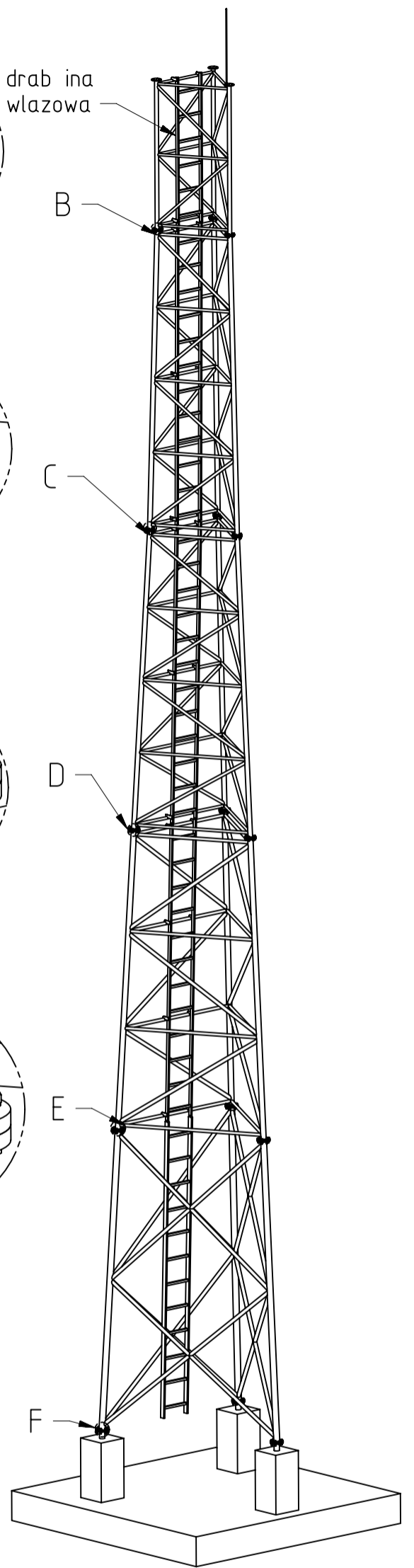
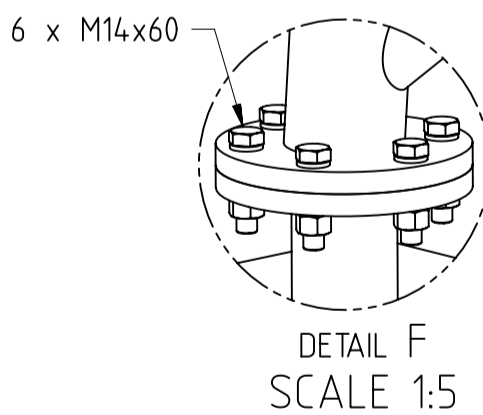
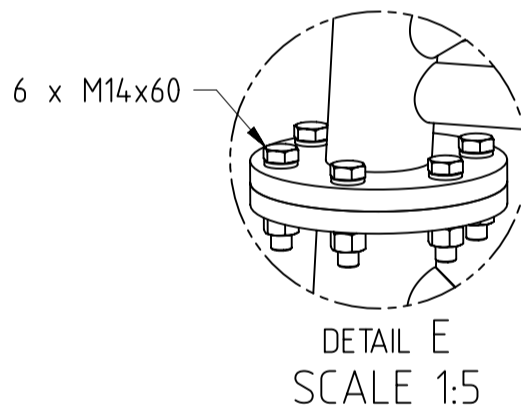
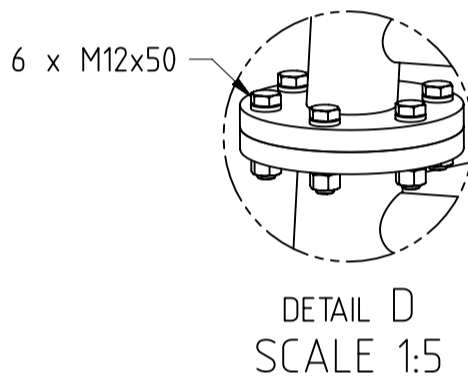
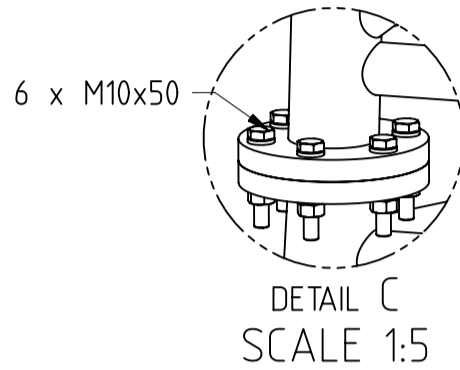
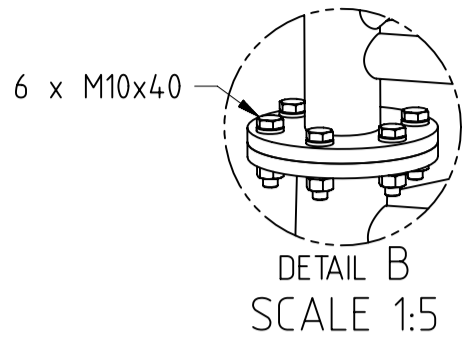
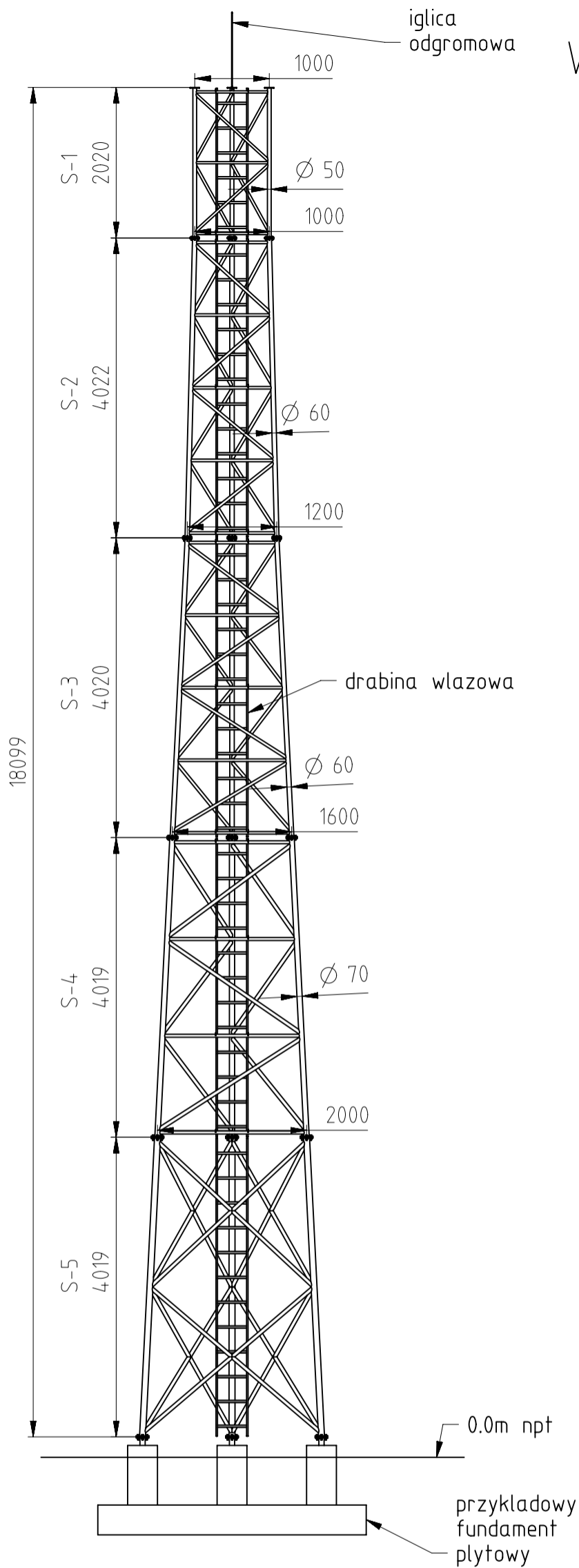


Karta katalogowa Wieza AluPro typ T1000-18 H=18.0m



Podstawowe dane:

Wysokosc: 18.0m
Ciezar: 242kg
szer. na szczycie: 1.0m
szer u podstawy: 2.4m
maksymalne obciazenie: 1.5m² i strefa wiatr.
material: aluminum alloy
AW6063T6

<small>TOLERANCES (UNLESS OTHERWISE SPECIFIED) ISO 2768-1/2001 "M" SERIES</small> <small>LINEAR DIMENSIONS</small>				THIS DRAWING CONTAINS CONFIDENTIAL INFORMATION WHICH IS THE PROPERTY OF AluPro S.C. COMPANY. THIS DRAWING MAY NOT BE REPRODUCED, TRANSFERRED OR USED, OR ITS CONTENTS DISCLOSED WITHOUT THE PRIOR WRITTEN PERMISSION OF AluPro S.C. COMPANY					
MATERIAL:		AW6063T6		QUANTITY:		DRAWN BY:		D.Wojciechowski	
MACHINE:						DATE:		09/08/2018	
DRAWING PREPARED FOR:		AluPro				CHECKED BY:			
TITLE:		Karta katalogowa Wieza AluPro typ T1000-18				SCALE:		1 : 70	
FIRST ANGLE PROJECTION:						SHEET:		1 of 1	
		AluPro s.c.				JOB NUMBER:			
						DRAWING NO°:		2018.08.09.01A	
						REV:		A	