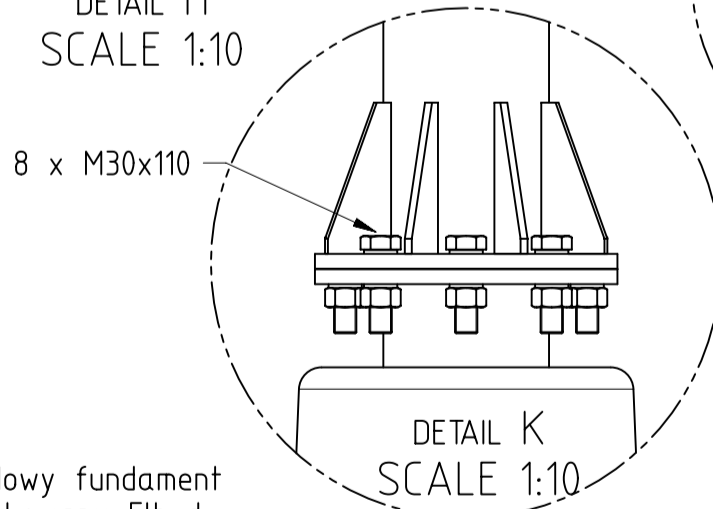
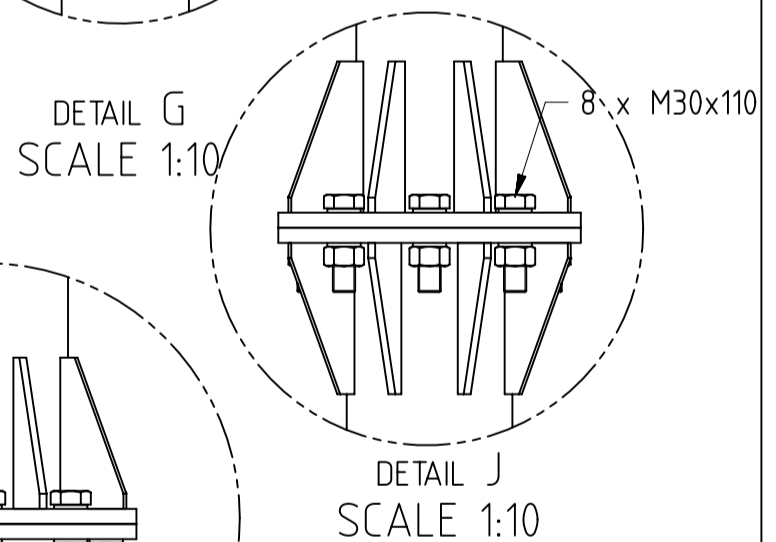
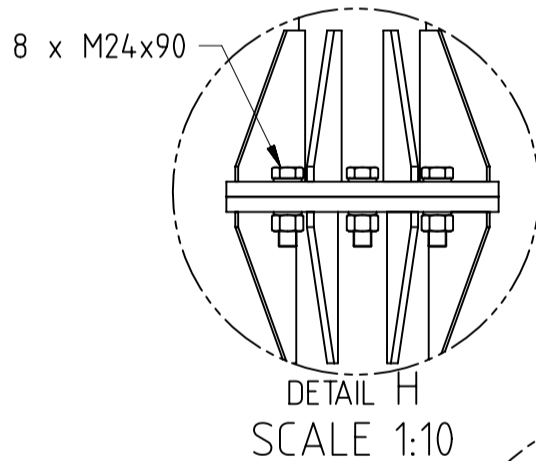
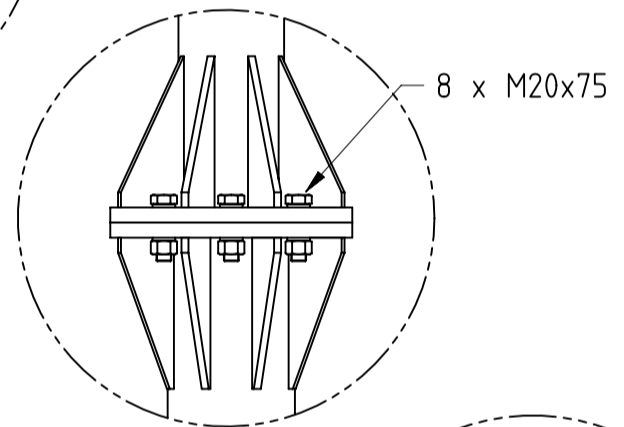
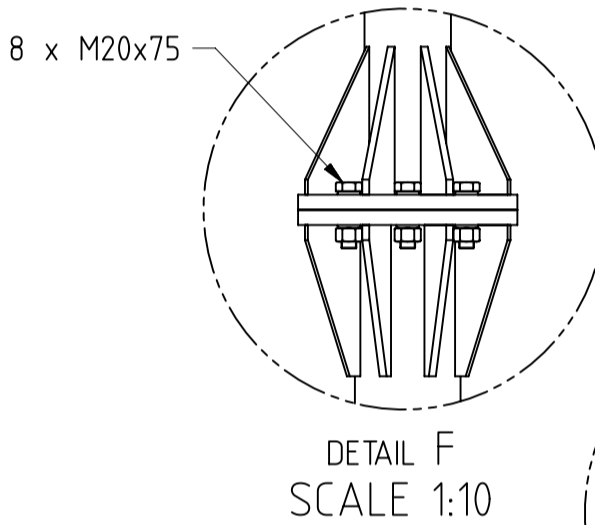
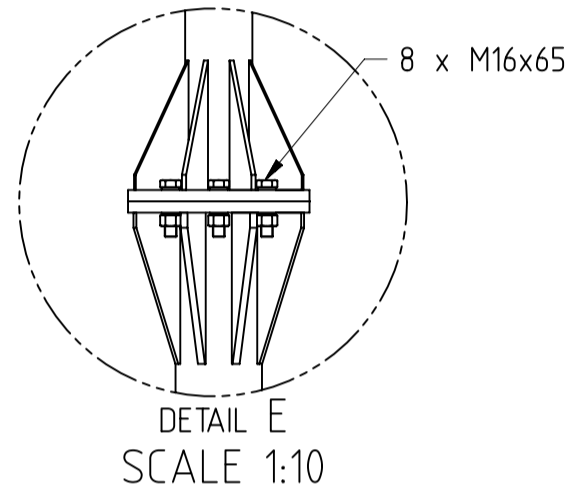
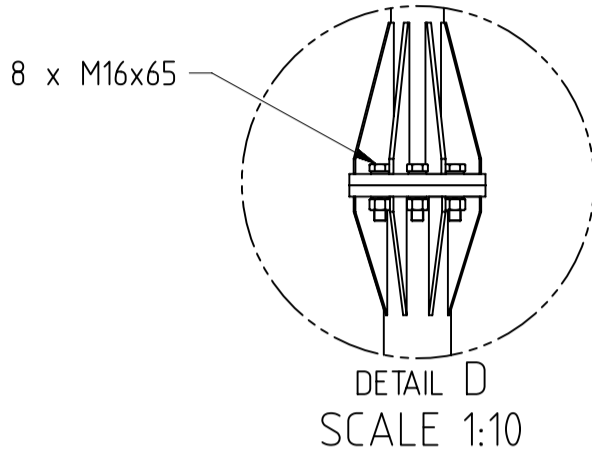
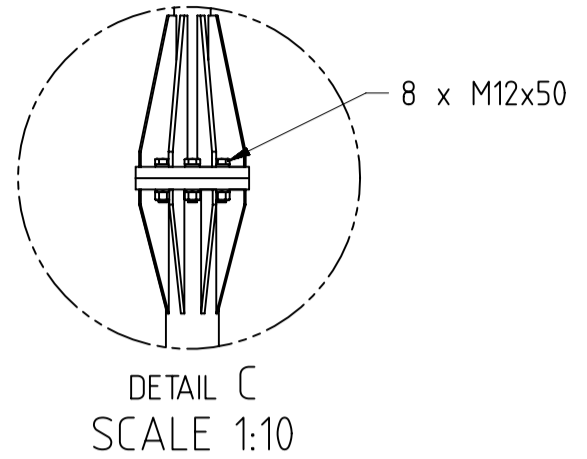
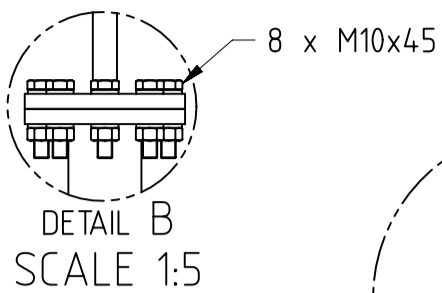
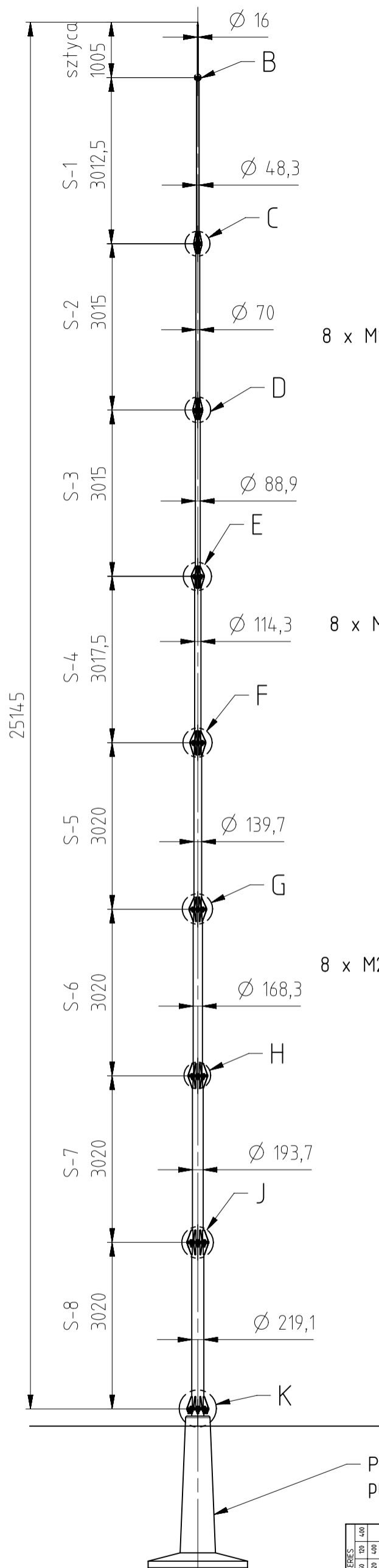


KARTA KATALOGOWA

Maszt odgromowy H=25.0m



- rury bezszwowe S235
- połączenia kolnierzowe
- śruby klasy 8.8
- fundament prefabrykowany lub lany na mokro

<small>TOLERANCES (UNLESS OTHERWISE SPECIFIED): ISO 2768-1/2001 "M" SERIES</small> <small>LINEAR DIMENSIONS</small> <table border="1"> <tr><td>0.5</td><td>1</td><td>2</td><td>3</td><td>4</td><td>6</td><td>10</td><td>15</td><td>20</td><td>30</td><td>40</td><td>50</td><td>63</td><td>80</td><td>100</td><td>125</td><td>160</td><td>200</td><td>250</td><td>315</td><td>400</td></tr> <tr><td>±0.05</td><td>±0.06</td><td>±0.08</td><td>±0.10</td><td>±0.12</td><td>±0.15</td><td>±0.20</td><td>±0.25</td><td>±0.30</td><td>±0.40</td><td>±0.50</td><td>±0.63</td><td>±0.80</td><td>±1.00</td><td>±1.25</td><td>±1.60</td><td>±2.00</td><td>±2.50</td><td>±3.15</td><td>±4.00</td><td>±5.00</td></tr> </table>	0.5	1	2	3	4	6	10	15	20	30	40	50	63	80	100	125	160	200	250	315	400	±0.05	±0.06	±0.08	±0.10	±0.12	±0.15	±0.20	±0.25	±0.30	±0.40	±0.50	±0.63	±0.80	±1.00	±1.25	±1.60	±2.00	±2.50	±3.15	±4.00	±5.00	THIS DRAWING CONTAINS CONFIDENTIAL INFORMATION WHICH IS THE PROPERTY OF AluPro S.C. COMPANY. THIS DRAWING MAY NOT BE REPRODUCED, TRANSFERRED OR USED, OR ITS CONTENTS DISCLOSED WITHOUT THE PRIOR WRITTEN PERMISSION OF AluPro S.C. COMPANY		MATERIAL: S235		QUANTITY: tbd		DRAWN BY: D.Wojciechowski	
	0.5	1	2	3	4	6	10	15	20	30	40	50	63	80	100	125	160	200	250	315	400																													
	±0.05	±0.06	±0.08	±0.10	±0.12	±0.15	±0.20	±0.25	±0.30	±0.40	±0.50	±0.63	±0.80	±1.00	±1.25	±1.60	±2.00	±2.50	±3.15	±4.00	±5.00																													
	MACHINE:		DRAWING PREPARED FOR: AluPro		DATE: 26-01-2016		CHECKED BY:																																											
	TITLE: Maszt odgromowy stalowy H=25.0m		SCALE: 12 : 1000		SHEET: 1 of 1		JOB NUMBER:																																											
FIRST ANGLE PROJECTION:		DRAWING NO°: 2016.01.26.05A		REV: A		AluPro s.c.																																												