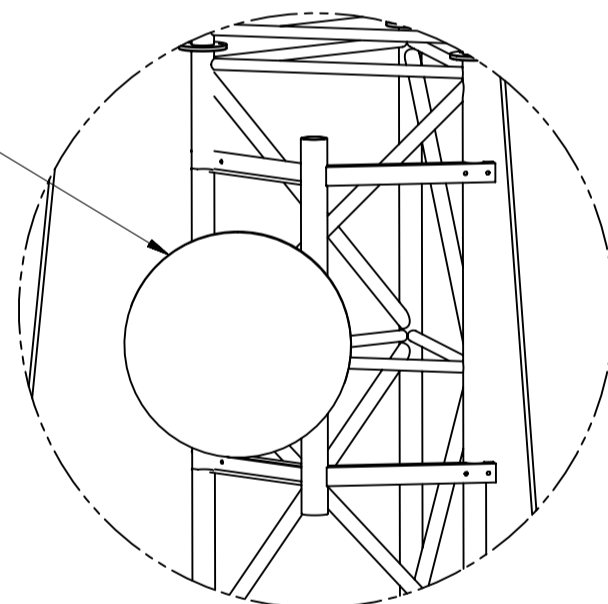
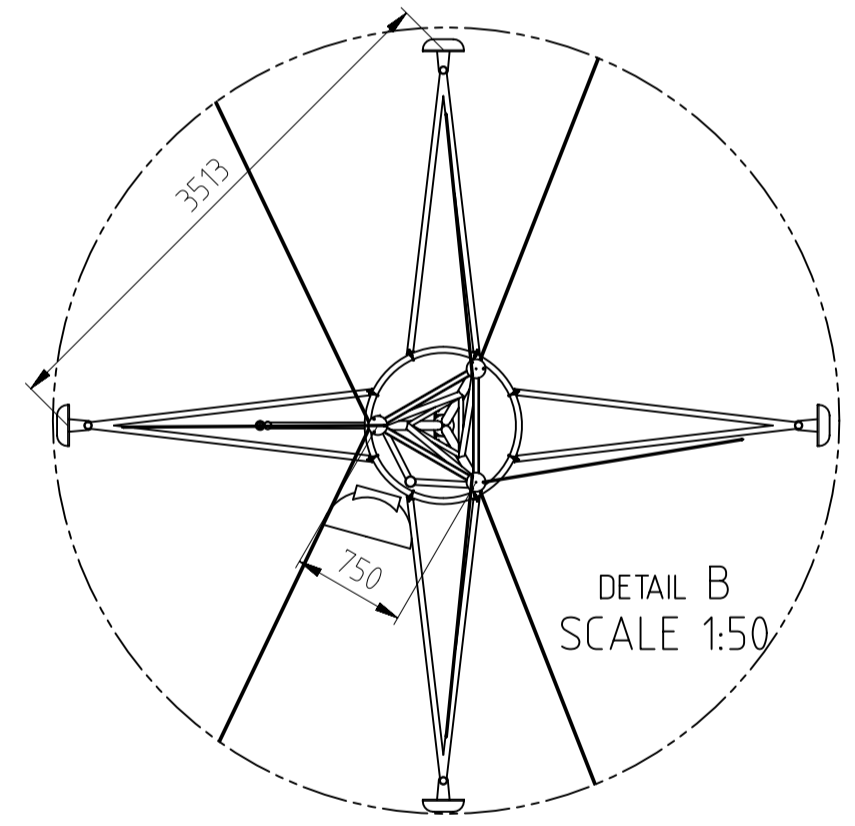


radiolinia 0.6m
+ wspornik $\varnothing 80$



DETAIL C
SCALE 1:20

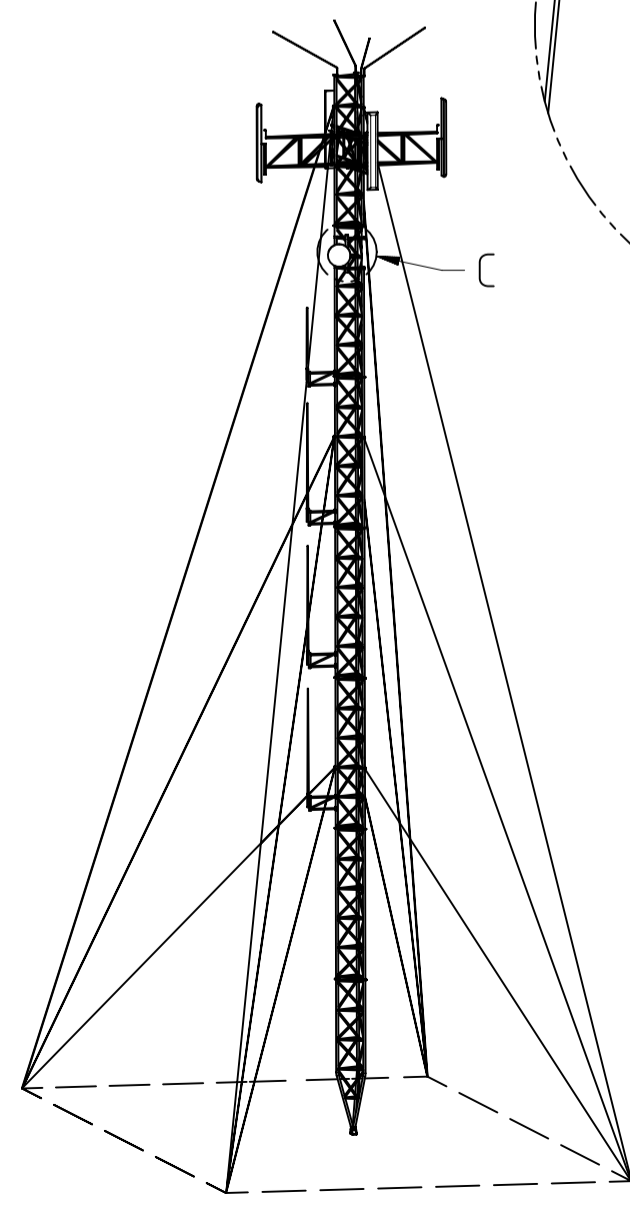


DETAIL B
SCALE 1:50

obciazenie: 4 x ant. sektorowa 4.5m²
3 x ant omni 2.8m i 1 x ant. omni 1.62m
1 x radiolinia 0.6m
trasa kablowa W=200mm

ciężar trzonu: 316kg (teoretyczny)

liny: $\varnothing 8$ mm T6x19 na I i II poziomie
 $\varnothing 12$ mm T6x19 na III poziomie



<small> TOLERANCES (UNLESS OTHERWISE SPECIFIED): ISO 2768-1/2001 "M" SERIES H7/g6 ANGLES TOLERANCE ±1° SURFACE FINISH Ra 1.6 LINEAR DIMENSIONS 10 0.1 0.2 0.3 0.5 0.8 1.2 2 </small>	THIS DRAWING CONTAINS CONFIDENTIAL INFORMATION WHICH IS THE PROPERTY OF AluPro S.C. COMPANY. THIS DRAWING MAY NOT BE REPRODUCED, TRANSFERRED OR USED, OR ITS CONTENTS DISCLOSED WITHOUT THE PRIOR WRITTEN PERMISSION OF AluPro S.C. COMPANY			
	MATERIAL:		QUANTITY:	DRAWN BY: D.Wojciechowski
	MACHINE:		DATE:	28/12/2017
	DRAWING PREPARED FOR:	AluPro		CHECKED BY:
TITLE:	Maszt AluPro M750-28 - KP Grodkow posadowienie 4 kierunki - nietyp		3D FILE:	
FIRST ANGLE PROJECTION:			SCALE: 1 : 300	SHEET: 1 of 1
			JOB NUMBER:	
AluPro s.c.		DRAWING NO°:	2017.12.28.02A	REV: A