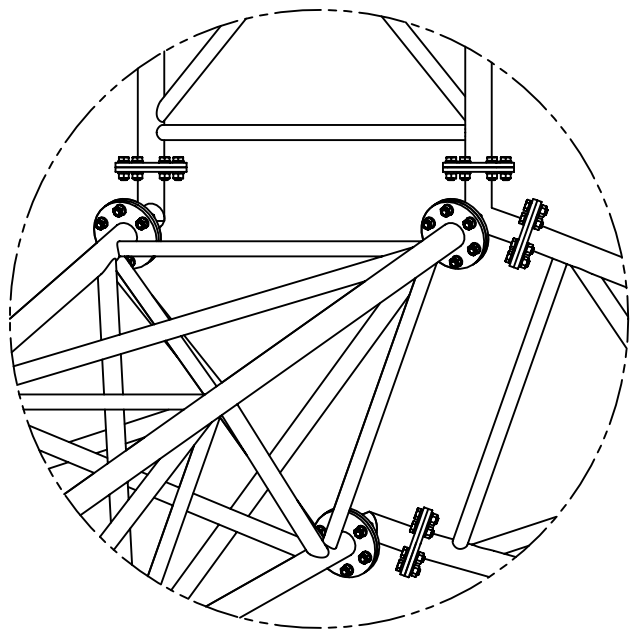
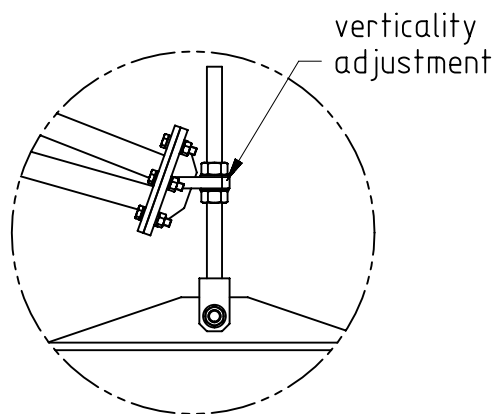
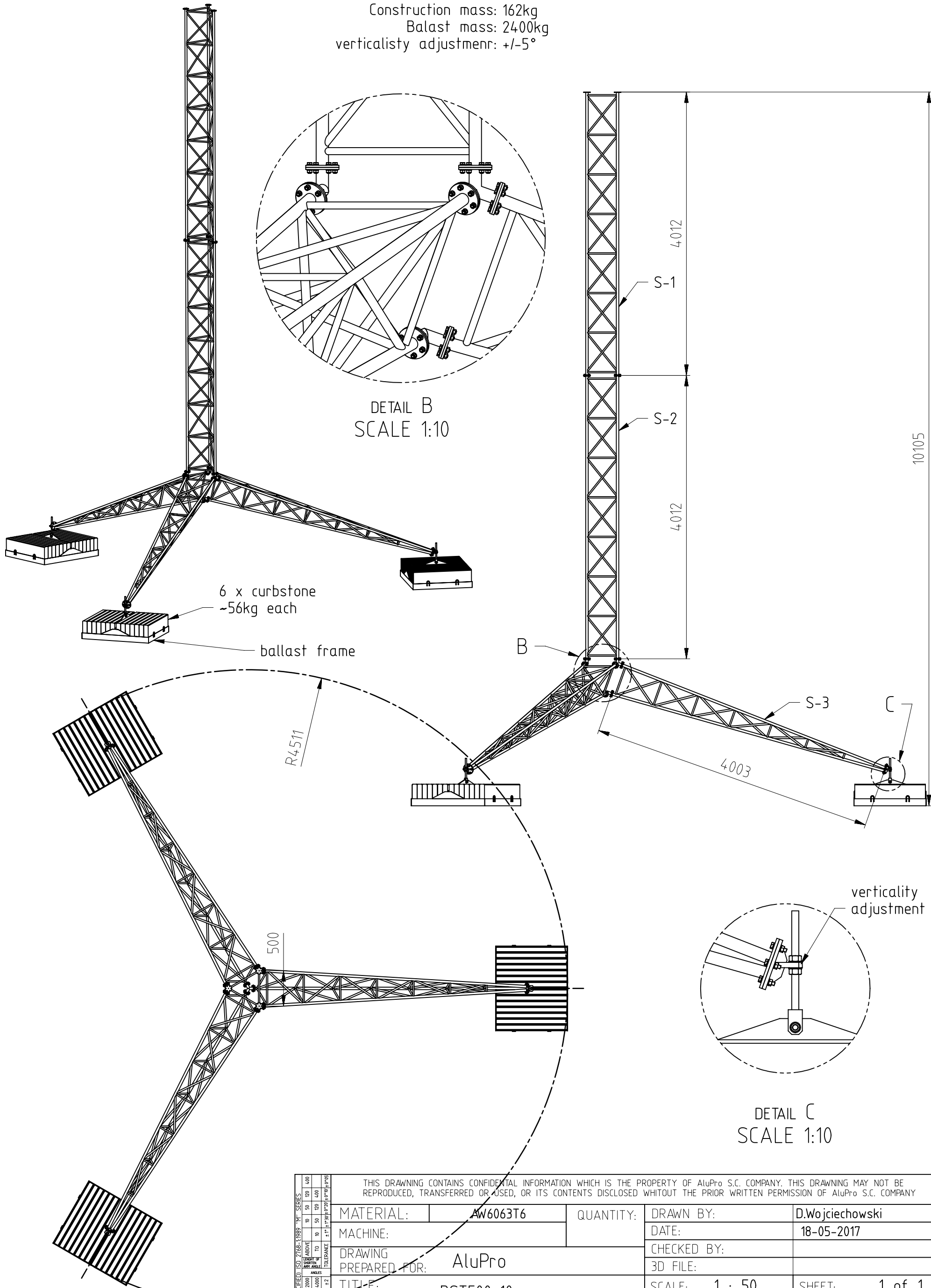


Height: 10m  
 Width: 500mm  
 Construction mass: 162kg  
 Balast mass: 2400kg  
 verticality adjustmenr: +/-5°



DETAIL B  
 SCALE 1:10



DETAIL C  
 SCALE 1:10

<small>ISO 2768-1:2008 "M" SERIES</small> <small>TOLERANCES (UNLESS OTHERWISE SPECIFIED)</small> <small>LINEAR DIMENSIONS</small>				<small>THIS DRAWING CONTAINS CONFIDENTIAL INFORMATION WHICH IS THE PROPERTY OF AluPro S.C. COMPANY. THIS DRAWING MAY NOT BE REPRODUCED, TRANSFERRED OR USED, OR ITS CONTENTS DISCLOSED WITHOUT THE PRIOR WRITTEN PERMISSION OF AluPro S.C. COMPANY</small>					
MATERIAL:		AW6063T6		QUANTITY:		DRAWN BY:		D.Wojciechowski	
MACHINE:						DATE:		18-05-2017	
DRAWING PREPARED FOR:		AluPro				CHECKED BY:			
TITLE:		BST500-10				3D FILE:			
		Ballast supported tower				SCALE:		1 : 50	
						SHEET:		1 of 1	
						JOB NUMBER:			
FIRST ANGLE PROJECTION:		AluPro s.c.		DRAWING NO°:		2017.05.18.01A		REV:	
								A	