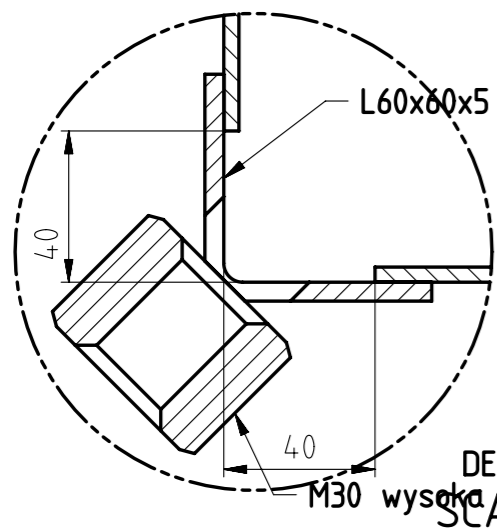


SECTION A-A



DETAIL B  
SCALE 1:2

W = 485 9szt  
 495 6szt  
 505 6szt  
 515 9szt

<small>THIS DRAWING CONTAINS CONFIDENTIAL INFORMATION WHICH IS THE PROPERTY OF COMPANY. THIS DRAWING MAY NOT BE REPRODUCED, TRANSFERRED OR USED, OR ITS CONTENTS DISCLOSED WITHOUT THE PRIOR WRITTEN PERMISSION OF S.C. COMPANY</small>					
MATERIAL:	<b>St3S</b>	QUANTITY:	<b>30</b>	DRAWN BY:	<b>D.Wojciechowski</b>
MACHINE:				DATE:	<b>10-04-2013</b>
DRAWING PREPARED FOR:	<b>AluPro</b>			CHECKED BY:	
TITLE:	<b>Kotwy gruntowe</b>			3D FILE:	
				SCALE:	<b>15 : 100</b>
				JOB NUMBER:	<b>1 of 1</b>
FIRST ANGLE PROJECTION:				DRAWING NO°:	<b>2013.04.10.01A</b>
	<b>AluPro</b>			REV:	<b>A</b>

TOLERANCES UNLESS OTHERWISE SPECIFIED ISO 2768-1989 "M" SERIES

ABOVE 0.5	3	6	30	120	400	1000	10000	100000
TO	10	50	120	400	1000	10000	100000	1000000
ANGLE	± 10'							
PERMANENT	± 0.1	± 0.1	± 0.2	± 0.3	± 0.5	± 0.8	± 1.2	± 2
LINEAR DIMENSIONS								