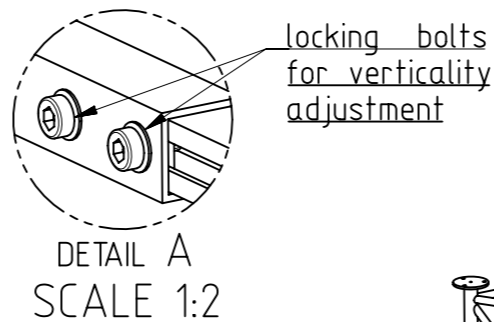
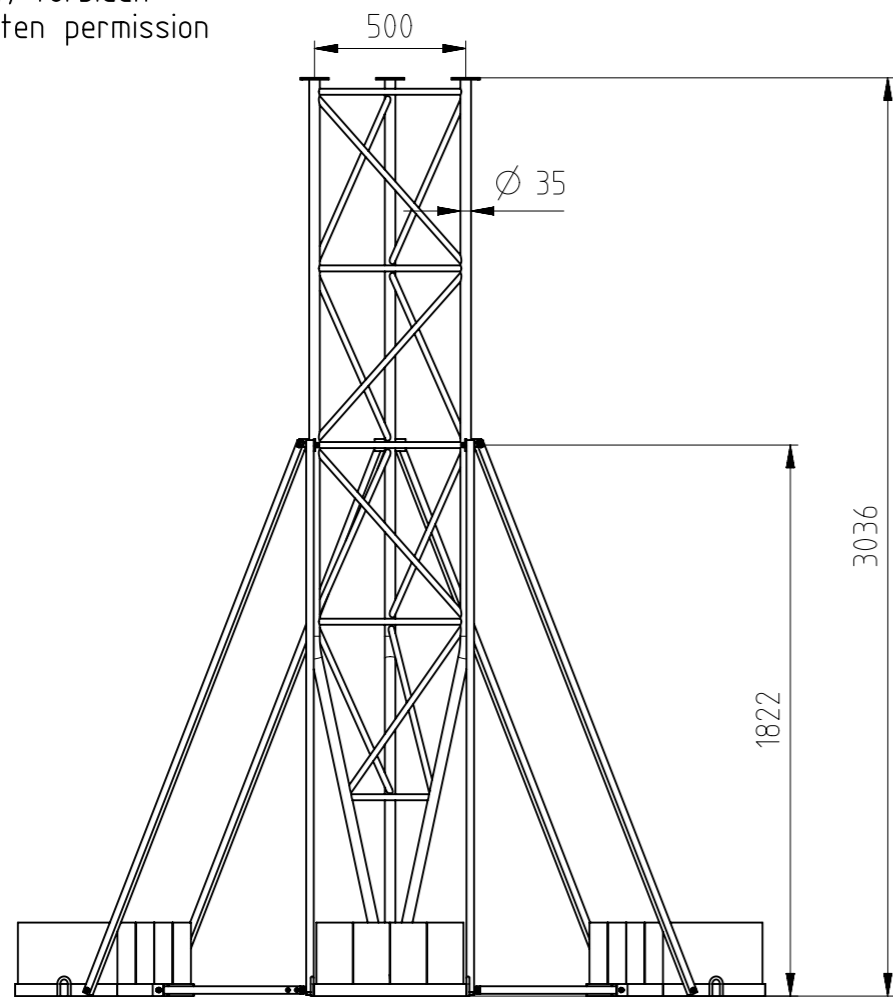


Property of ALUPRO S.C.  
 Reproducing, sharing,  
 transferring or using  
 (incl. content) forbidden  
 without written permission



Set includes:

- aluminum trusses M500 - 1 pc
- diagonal supports - 6 pcs
- horizontal adjustable supports - 3 pcs
- ballast frames - 3 pcs
- ballast securing belts - 3 pcs
- hardware - 1 set

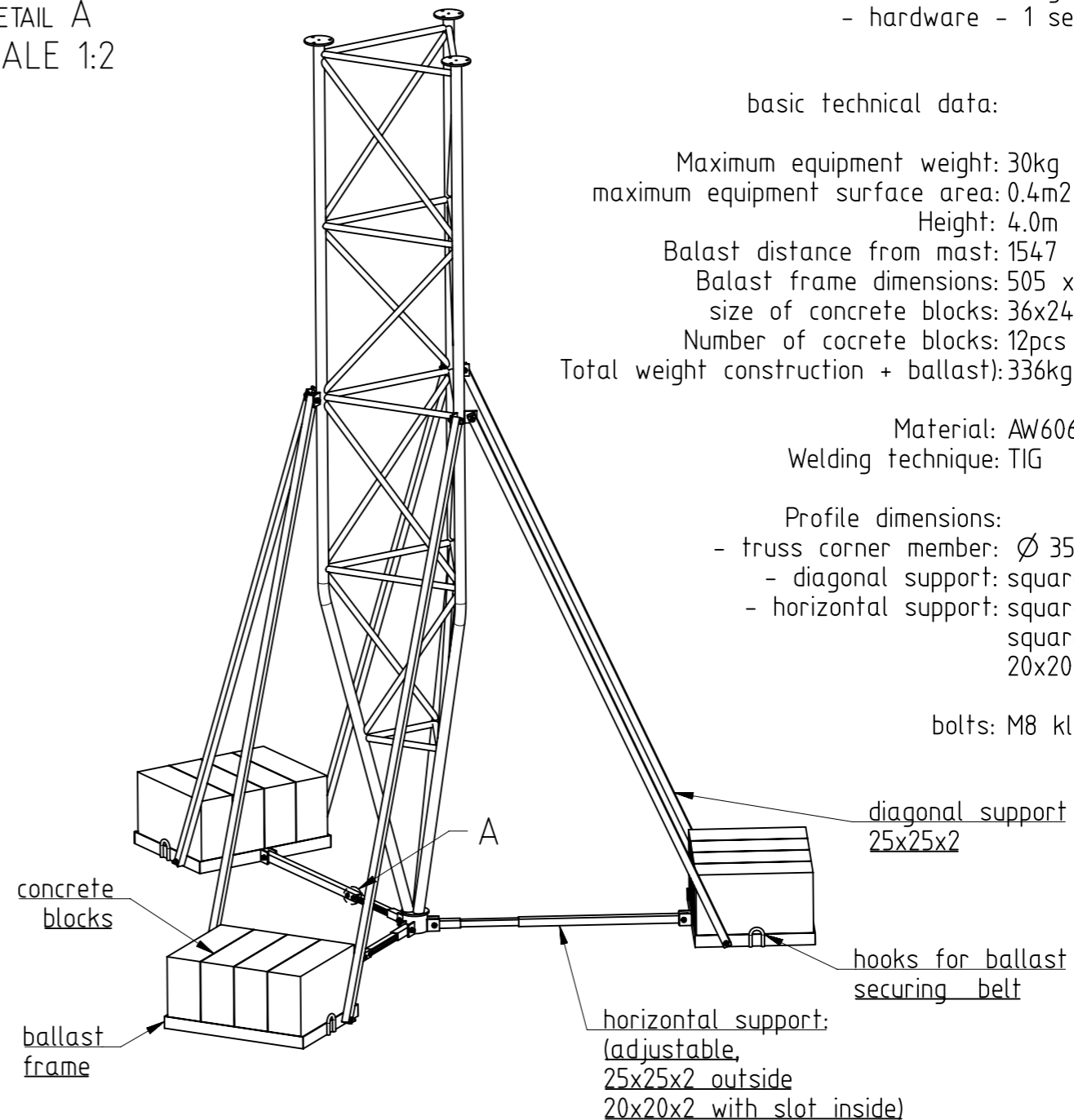
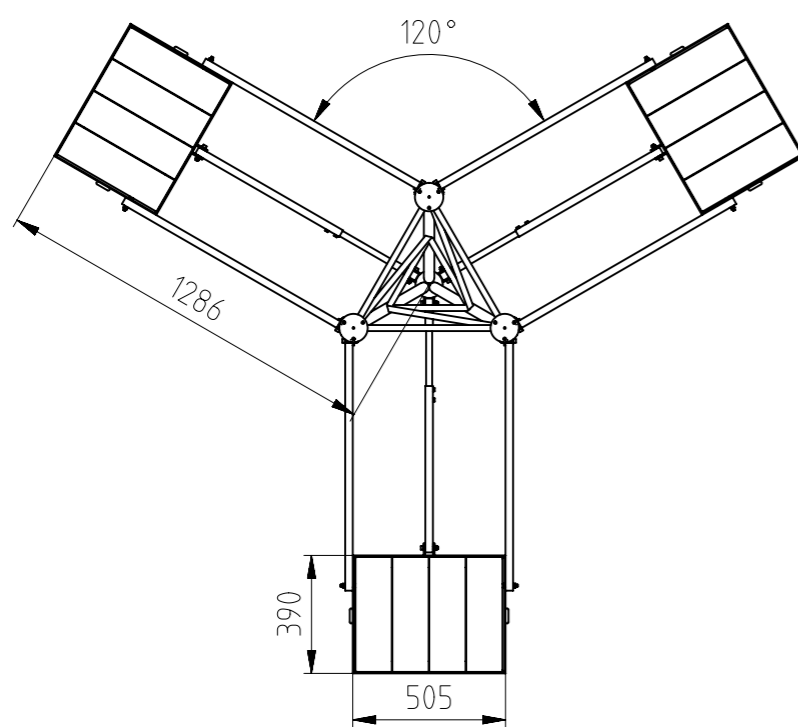
basic technical data:

Maximum equipment weight: 30kg  
 maximum equipment surface area: 0.4m<sup>2</sup>  
 Height: 4.0m  
 Balast distance from mast: 1547 x 120°  
 Balast frame dimensions: 505 x 390 mm  
 size of concrete blocks: 36x24x12cm  
 Number of concrete blocks: 12pcs  
 Total weight construction + ballast): 336kg

Material: AW6063T6  
 Welding technique: TIG

- Profile dimensions:
- truss corner member:  $\varnothing$  35x1.5
  - diagonal support: square tube 25x25x2
  - horizontal support: square tube 25x25x2 outside square tube with slot 20x20x2 inside

bolts: M8 kl. 8.8 ocynk



Comments:

- assembly mast on flat roofs maximum roof slope angle 5°
- assembly mast, set in desired location, adjust verticality by lengthening or shortening horizontal supports
- load with concrete blocks 36x24x12 25kg x 12szt.
- secure blocks by webbing belts or steel tape.

|  |   |              |                                       |
|--|---|--------------|---------------------------------------|
| <small>TOLERANCES UNLESS OTHERWISE SPECIFIED: ISO 2768-1/2001 "M" SERIES</small>   |   |              |                                       |
| <small>THIS DRAWING CONTAINS CONFIDENTIAL INFORMATION WHICH IS THE PROPERTY OF AluPro S.C. COMPANY. THIS DRAWING MAY NOT BE REPRODUCED, TRANSFERRED OR USED, OR ITS CONTENTS DISCLOSED WITHOUT THE PRIOR WRITTEN PERMISSION OF AluPro S.C. COMPANY</small> |   |              |                                       |
| MATERIAL:  | AW6063T6  | QUANTITY:    |                                       |
| MACHINE:   |   | DRAWN BY:    | D.Wojciechowski                       |
| DRAWING PREPARED FOR:  | AluPro  | DATE:        | 2010-02-26                            |
| TITLE:   | Balast supported mast (light version) type MBLK-3 | CHECKED BY:  |                                       |
| FIRST ANGLE PROJECTION:  | AluPro S.C.                                       | 3D FILE:     | Balast supported mast (light version) |
|  |   | SCALE:       | 5 : 100                               |
|  |   | JOB NUMBER:  |                                       |
|  |   | DRAWING NO°: | 2010.02.26.01A                        |
|  |   | SHEET:       | 1 of 1                                |
|  |   | REV:         | A                                     |