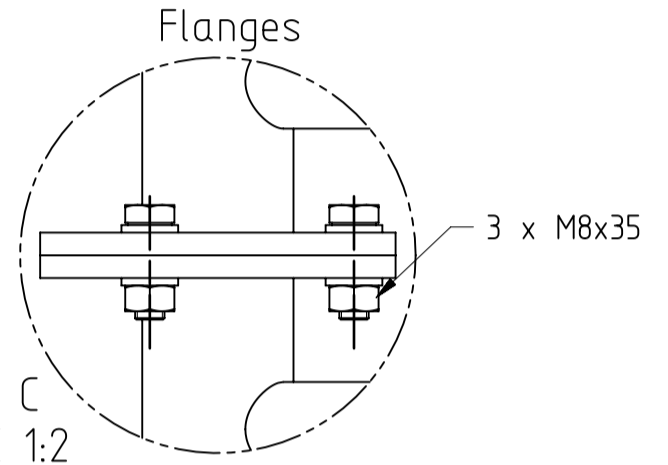
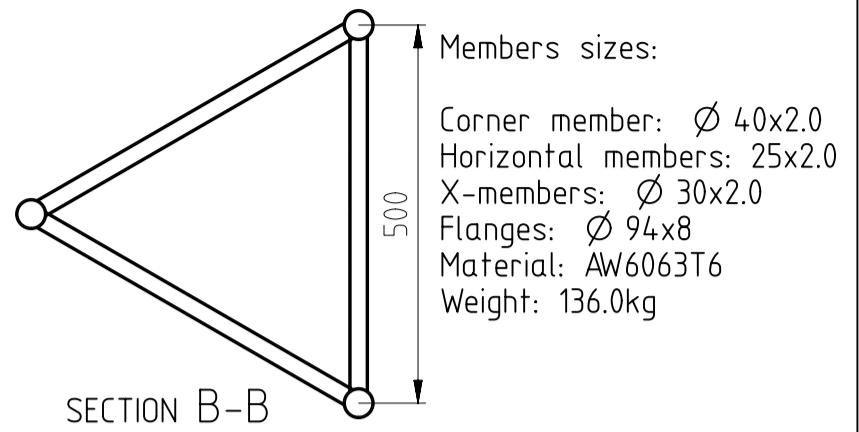
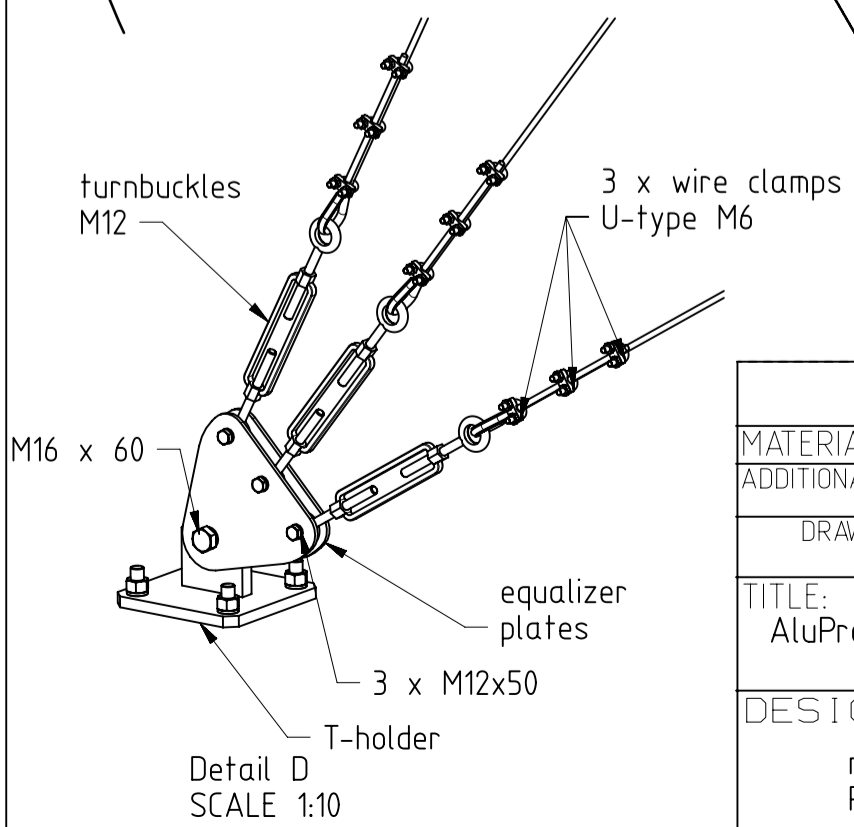
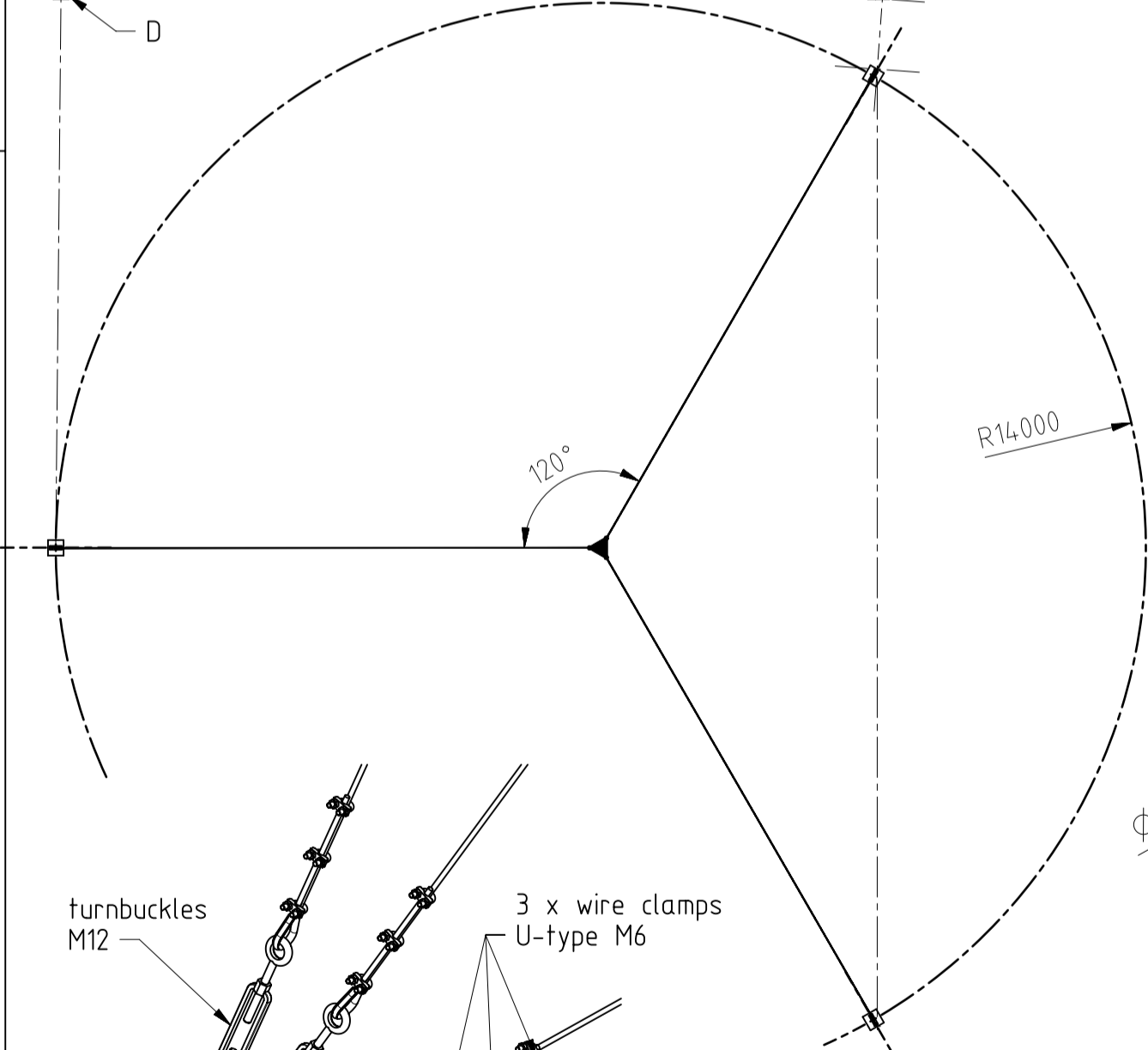
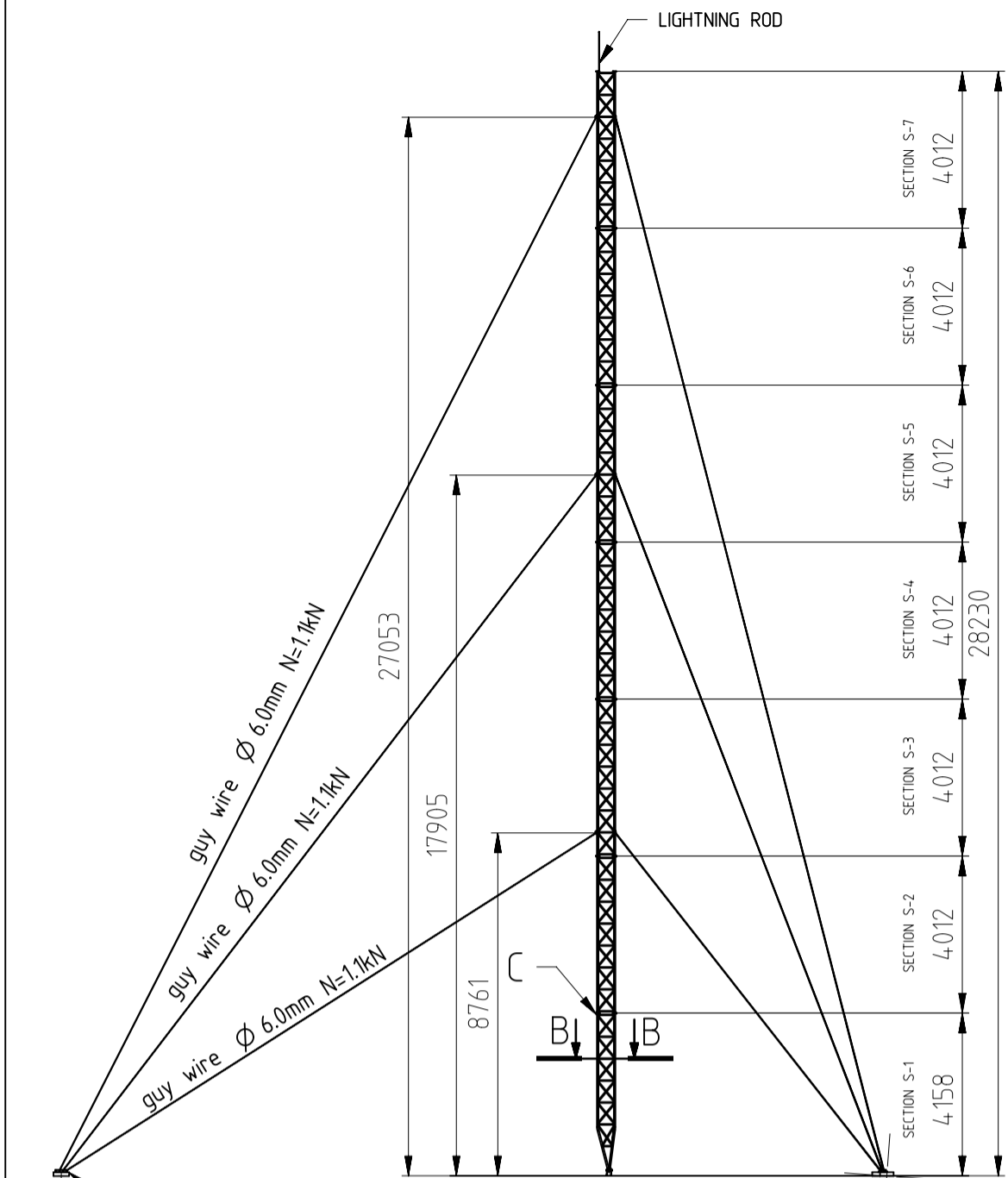
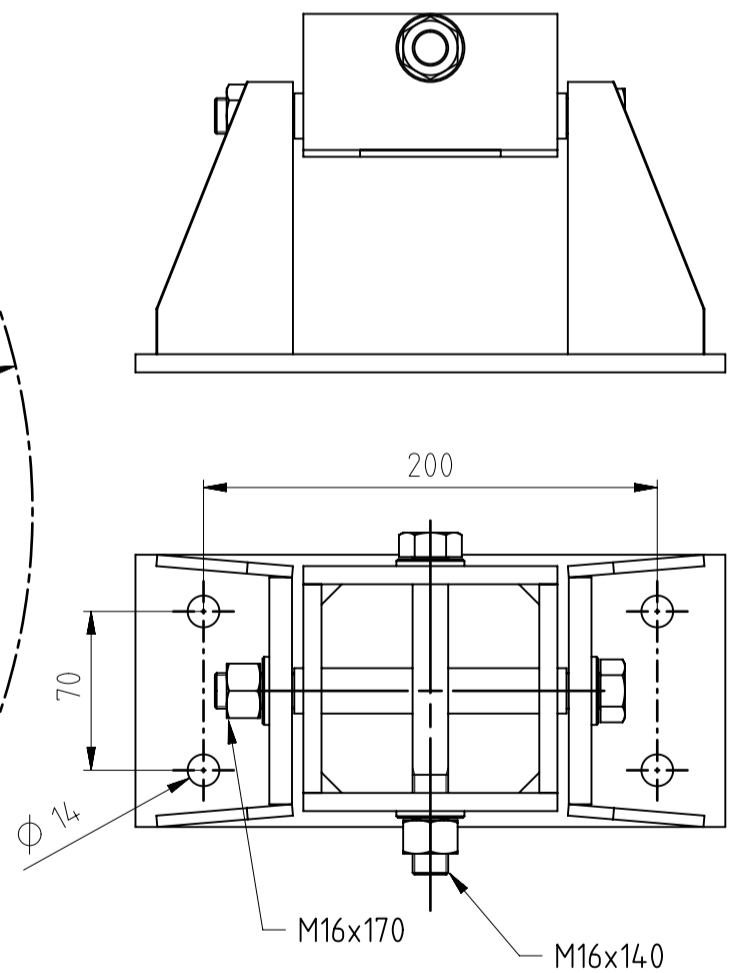


Guyed mast AluPro M500-28
H=28.0m



Typical swivel base



| | | | |
|---|-----------|----------------|-----------------|
| AluPro Spółka Cywilna. ul. Bochaterów 26, 03-026 Warszawa | | | |
| MATERIAL: | QUANTITY: | DRAWN BY: | D.Wojciechowski |
| ADDITIONAL INFO: | | DATE: | 13-07-2017 |
| DRAWING MADE FOR: AluPro | | INDUSTRY: | |
| TITLE: AluPro M500-28 guyed mast datasheet H=28.0m | | 3D FILE: | |
| DESIGNED BY mgr inż. Piotr A. Kopczynski; POM/034-3/PWOK/09 | | SCALE: 1 : 1 | SHEET: 1 of 1 |
| | | NR ZLECENIA: | |
| | | DRAWING NUMBER | REV: |
| | | 2017.07.13.01A | A |