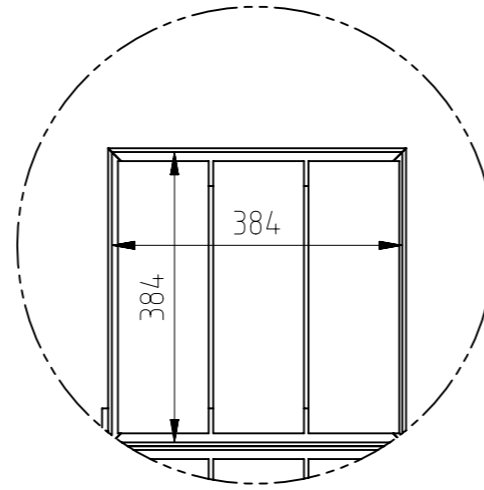
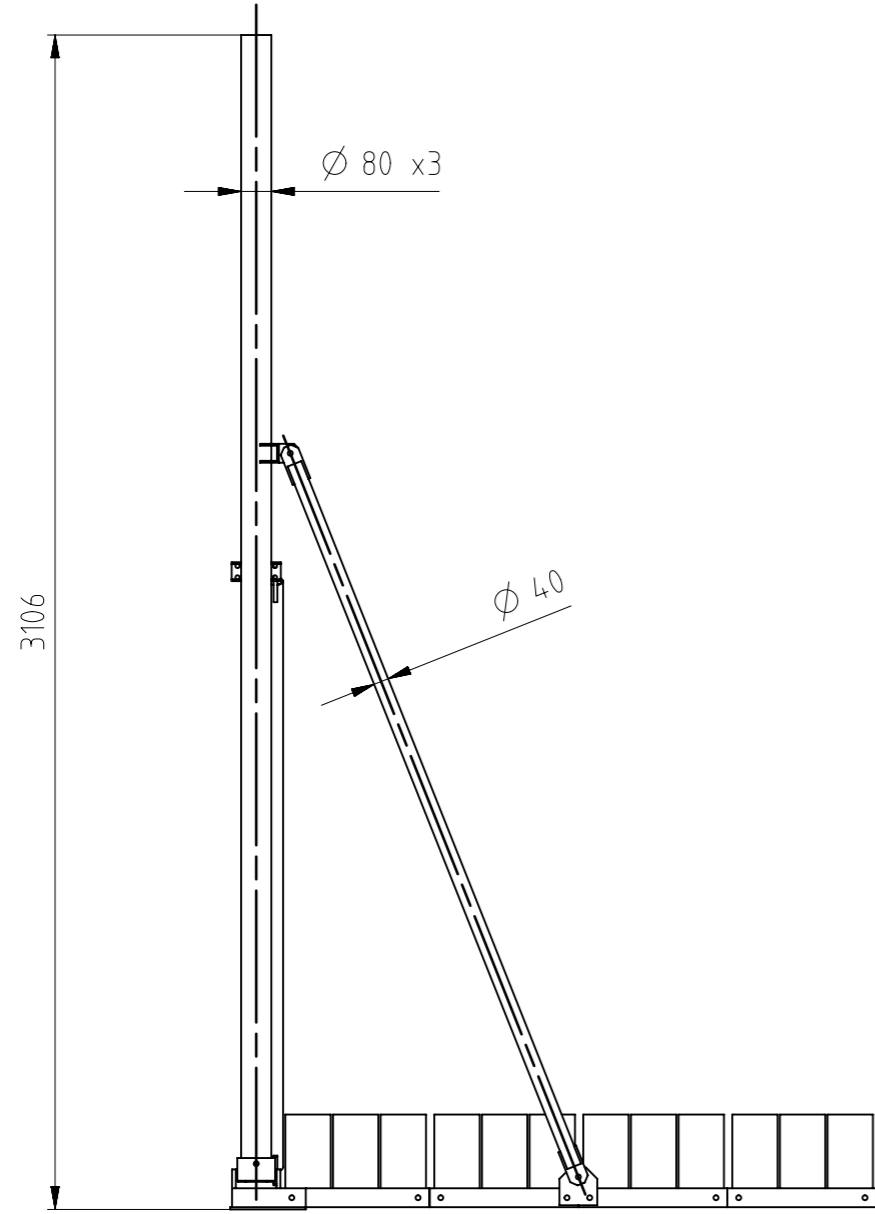
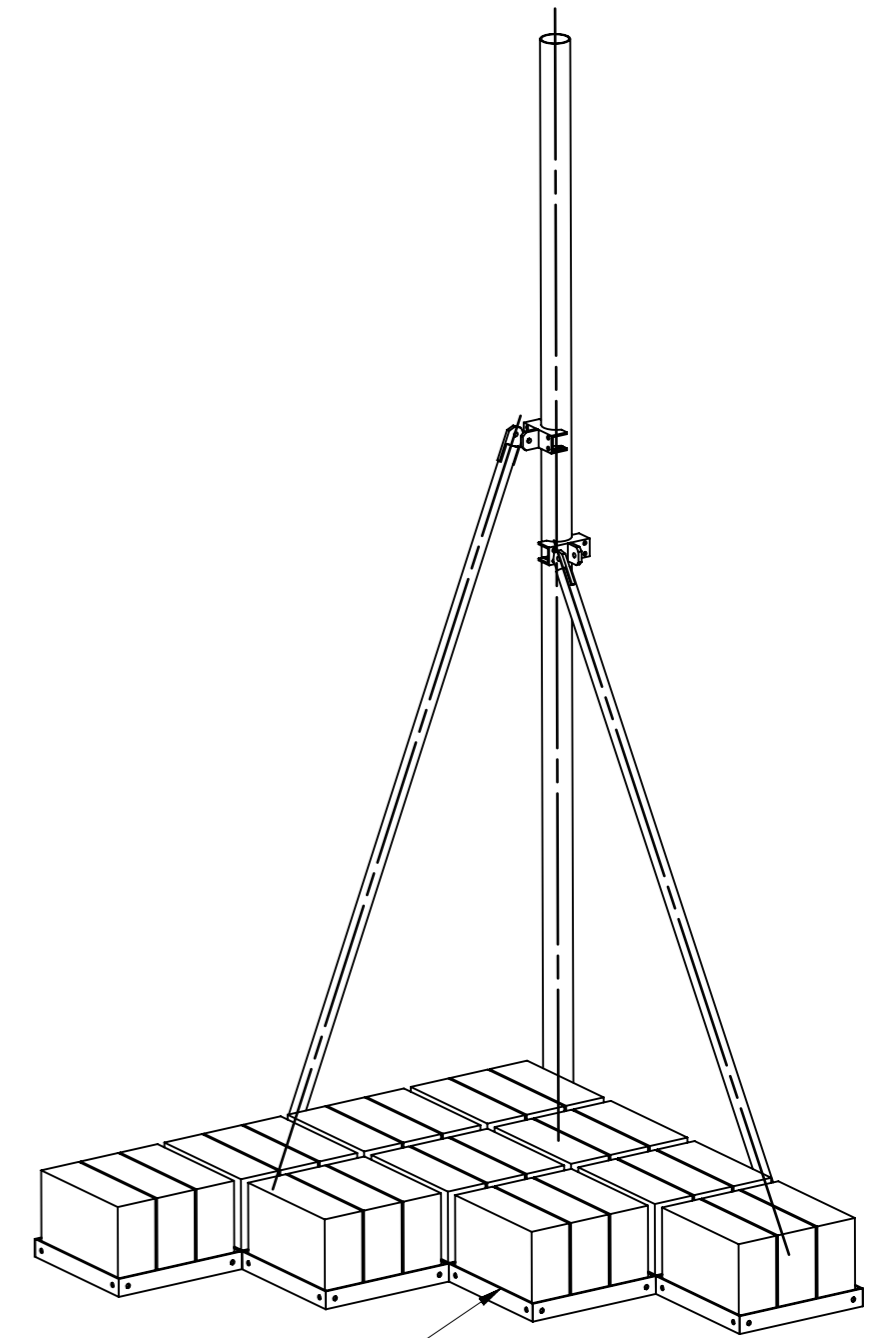
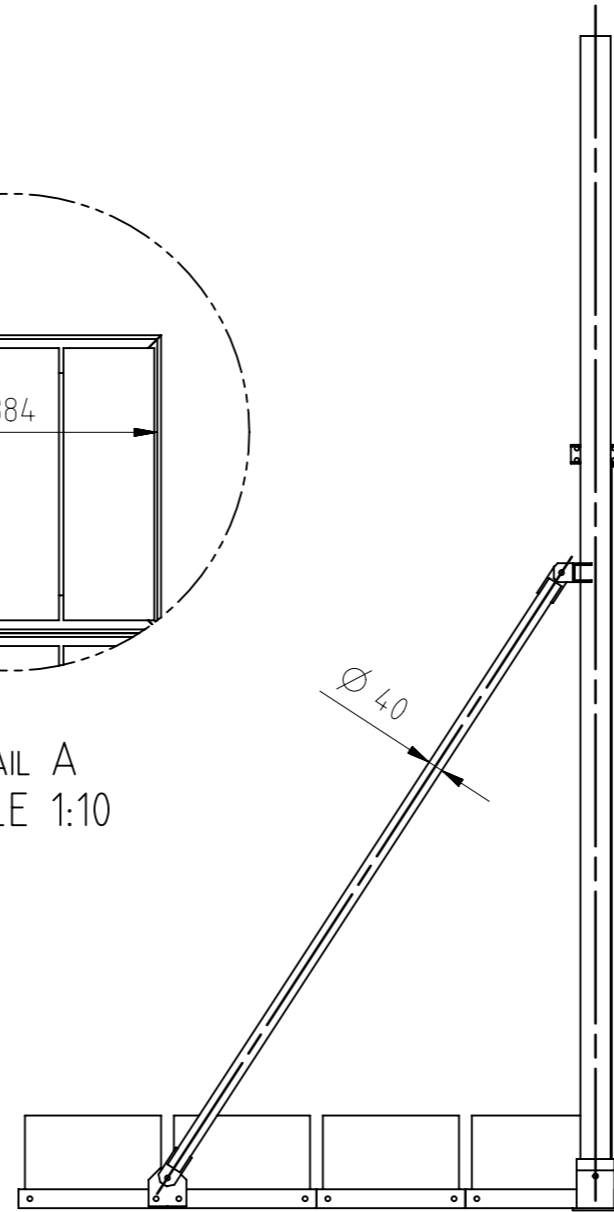


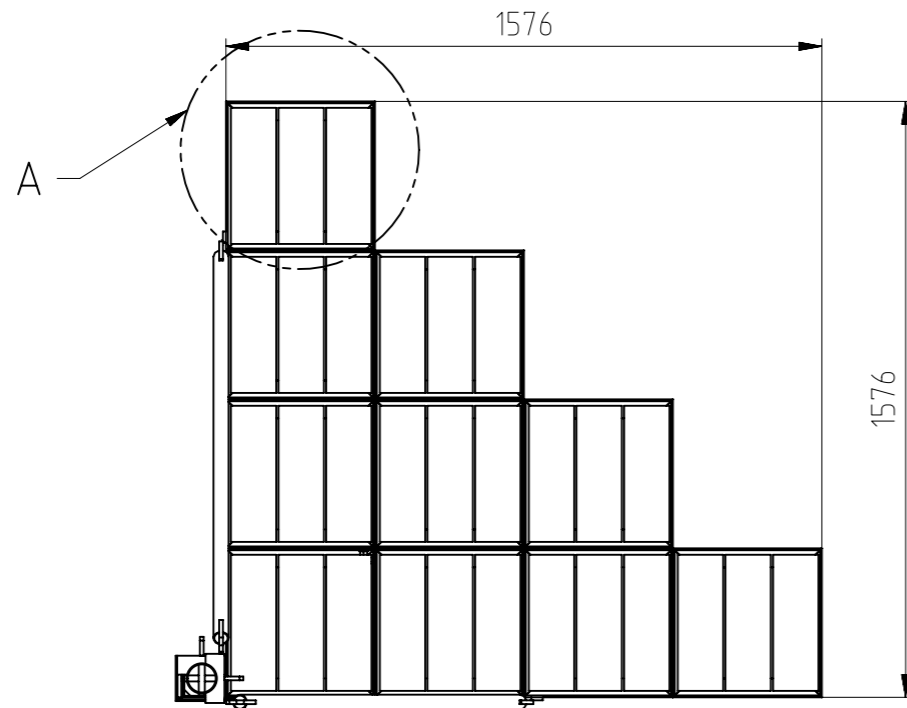
Rysunek jest własnością AluPro S.C.  
 Wykorzystywanie, kopiowanie, przetwarzanie  
 bez pisemnej zgody właściciela zabronione



DETAIL A  
 SCALE 1:10



błoczek fundamentowy  
 36x24x12cm - 30szt



Ciezar konstrukcji - 30kg  
 Ciezar balastu - 660kg

<small>TOLERANCES (UNLESS OTHERWISE SPECIFIED) ISO 2768-1989 "M" SERIES:                  ABOVE 0.5 3 6 30 120 400 1000 10000                  DIMENSIONS BELOW 0.5 0.1 0.15 0.2 0.3 0.5 0.8 1.2 2                  TOLERANCE ±1% ±1.3% ±1.5% ±1.8% ±2% ±2.5% ±3% ±4% ±5%                  ANGLES ±0.5° ±1° ±1.5° ±2°                  FIRST ANGLE PROJECTION: </small>	THIS DRAWING CONTAINS CONFIDENTIAL INFORMATION WHICH IS THE PROPERTY OF AluPro SC COMPANY. THIS DRAWING MAY NOT BE REPRODUCED, TRANSFERRED OR USED, OR ITS CONTENTS DISCLOSED WITHOUT THE PRIOR WRITTEN PERMISSION OF AluPro SC COMPANY			
	MATERIAL:	AW6063T6	QUANTITY:	
	MACHINE:		DRAWN BY:	D.Wojciechowski
	DRAWING PREPARED FOR:	AluPro	DATE:	18-07-2016
	TITLE:	Maszt balastowy MBRHQ-3C	CHECKED BY:	
			3D FILE:	
			SCALE:	1 : 20
			SHEET:	1 of 1
			JOB NUMBER:	
			DRAWING NO°:	2016.07.18.02A
		REV:	A	

AluPro SC