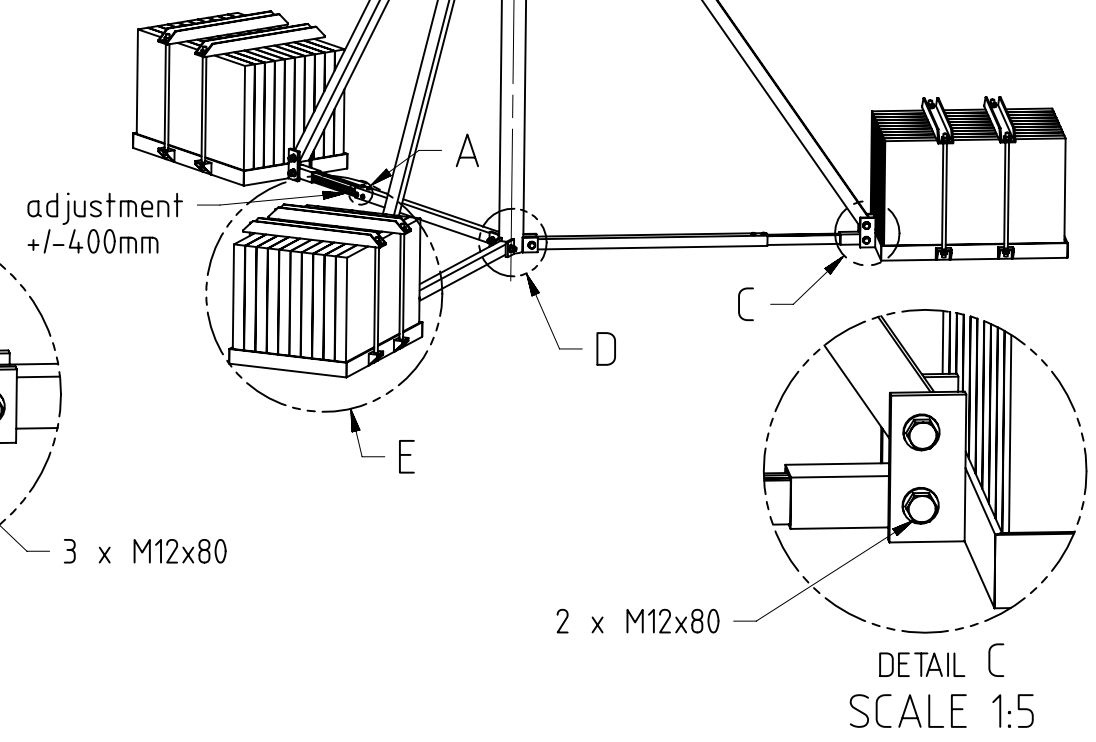
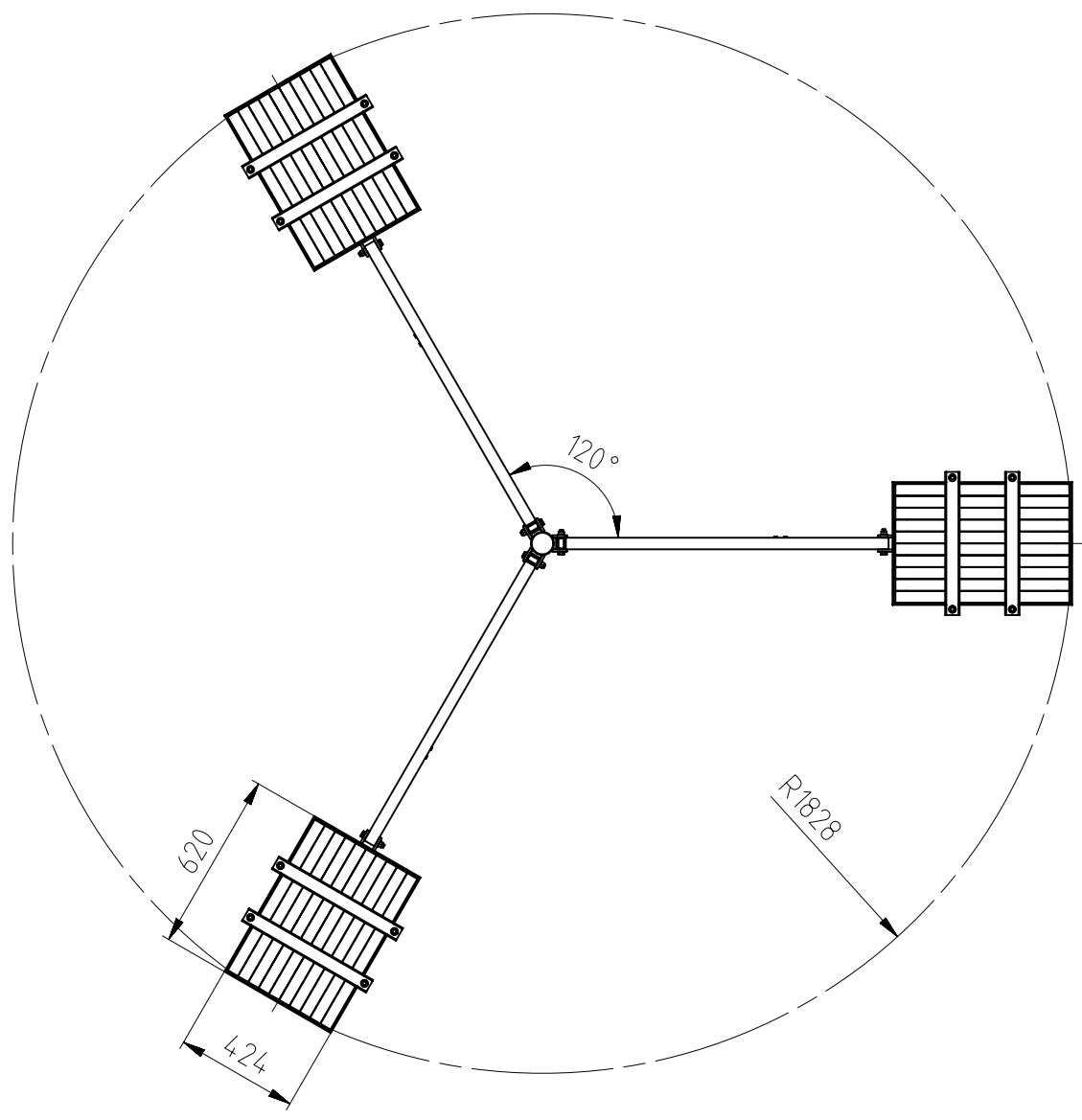


Technical data:
 Height: 3.0m
 Construction weight: 43kg
 Ballast weight: up to 600kg
 main pipe: Ø 80x3
 diagonal supports: □40x40x3
 horizontal supports □35x35x3
 tray: L50x50x5

Bolts:
 12 x M12x80
 12 x M6x16



<small>TOLERANCES UNLESS OTHERWISE SPECIFIED: ISO 7769-1989 "H" SERIES: ABOVE 0.5 3 6 30 120 400 1000 10000 IN DIMENSIONS ABOVE TO 10 50 120 400 ANGLES TOLERANCE ±1° ±1.30° ±1.70° ±2.0° ±2.5° FINISHES TO 10 50 120 400 LINEAR DIMENSIONS</small>				THIS DRAWING CONTAINS CONFIDENTIAL INFORMATION WHICH IS THE PROPERTY OF AluPro SC COMPANY. THIS DRAWING MAY NOT BE REPRODUCED, TRANSFERRED OR USED, OR ITS CONTENTS DISCLOSED WITHOUT THE PRIOR WRITTEN PERMISSION OF AluPro SC COMPANY			
MATERIAL: AW6063T6		QUANTITY: 6	DRAWN BY: D.Wojciechowski				
MACHINE:			DATE: 03-02-2014				
DRAWING PREPARED FOR: AluPro			CHECKED BY:				
TITLE: Ballast supported tripod mast			3D FILE:				
FIRST ANGLE PROJECTION:			SCALE: 1 : 20	SHEET: 1 of 1			
			JOB NUMBER:				
			DRAWING NO°: 2014.02.03.01A		REV: A		